

8254 LAVATORY

Accessible Collection

Rectangular lavatory

- Standard Integral Front Overflow
- Option: No Overflow
- Made from an acrylic-polyester based material
- Nonporous surface, that with proper cleaning, resists mold, mildew and stains
- ADA compliant when installed according to guidelines

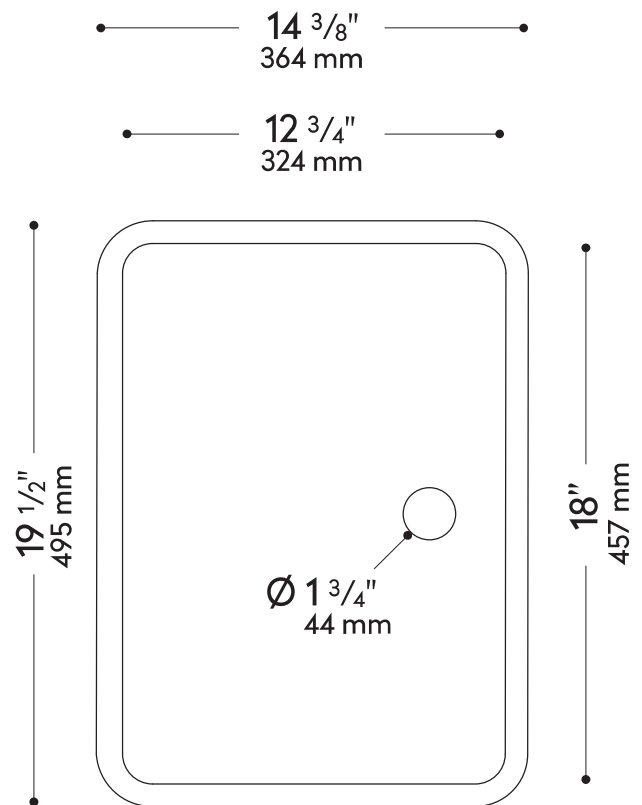
INSIDE SINK DIMENSIONS

	Length	Width	Depth
inches	18	12 3/4	5
mm	457	324	128

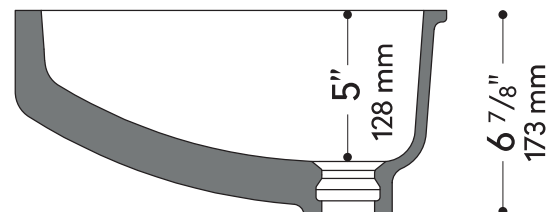
Measurements rounded to nearest 1/8" or mm



TOP VIEW



SIDE CROSS SECTION



DRAIN

All drain holes in sinks are nominally 1 3/4" in diameter and accept all standard drain hardware.