

810P LAVATORY

Accessible Collection

Enjoy the simple, timeless style of this proven performer

- Standard Integral Front Overflow
- Option: No Overflow
- Made from an acrylic-polyester based material
- Nonporous surface, that with proper cleaning, resists mold, mildew and stains
- Suitable for multi-bowl installations in both residential and commercial settings
- ADA compliant when installed according to guidelines

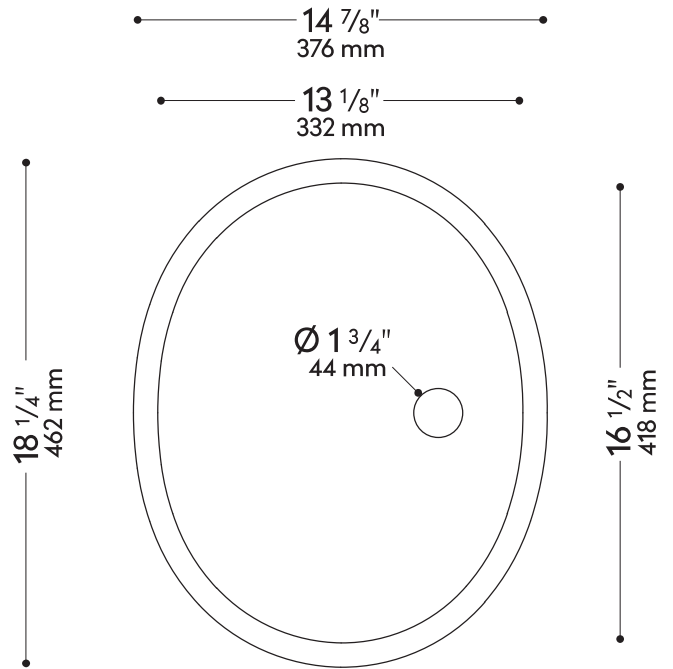
INSIDE SINK DIMENSIONS

	Length	Width	Depth
inches	16 1/2	13 1/8	5 1/2
mm	418	332	138

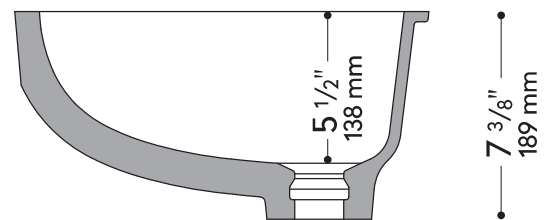
Measurements rounded to nearest 1/8" or mm



TOP VIEW



SIDE CROSS SECTION



DRAIN

All drain holes in sinks are nominally 1 3/4" in diameter and accept all standard drain hardware.