

CORIAN® TABLETOPS BASE SELECTION GUIDANCE

Very little technical guidance regarding selection of appropriate mounting bases for table tops is publicly available. This document provides Corian® Tabletop customers with some guidance for appropriate table base selection for Corian® Tabletop products. It does require knowledge of the weight of the tabletop base, which is not provided in some base manufacturer's product lists.

Guidance on Table Base Weight and Support Spread

Guidance is based on a simple model calculating the weight of the table base required to prevent tipping when force is applied to the edge of the table. It assumes the table does not slide across the floor, but tips. This is a static model, accounting for someone bumping into the table, but not the additional force of someone running into the table. This guidance offers a starting point for selecting a table base to provide stability to resist overturning.

This information corresponds to our current knowledge on the subject and may be subject to revision as new knowledge becomes available. It is your responsibility to investigate other sources of information on this issue that more appropriately addresses your intended use. **SINCE CONDITIONS OF USE ARE OUTSIDE OUR CONTROL, DUPONT MAKES NO WARRANTIES OF MERCHANTABILITY OR FITNESS FOR A PARTICULAR USE AND ASSUME NO LIABILITY IN CONNECTION WITH ANY USE OF THIS INFORMATION.** This data is not intended for use by the user or others in advertising, promotion, publication or any other commercial use and is not a license to operate under, or intended to suggest infringement of, any existing trademarks or patents.

Figure 1 illustrates the static overturning model. The table base weight (W_b), required to prevent force (F), from tipping the table over at point A can be calculated. Table 1 tabulates recommended minimum table base weights for each tabletop model for different table heights (H) and several base spreads (S).

FIGURE 1: TABLE OVERTURNING MODEL DIAGRAM

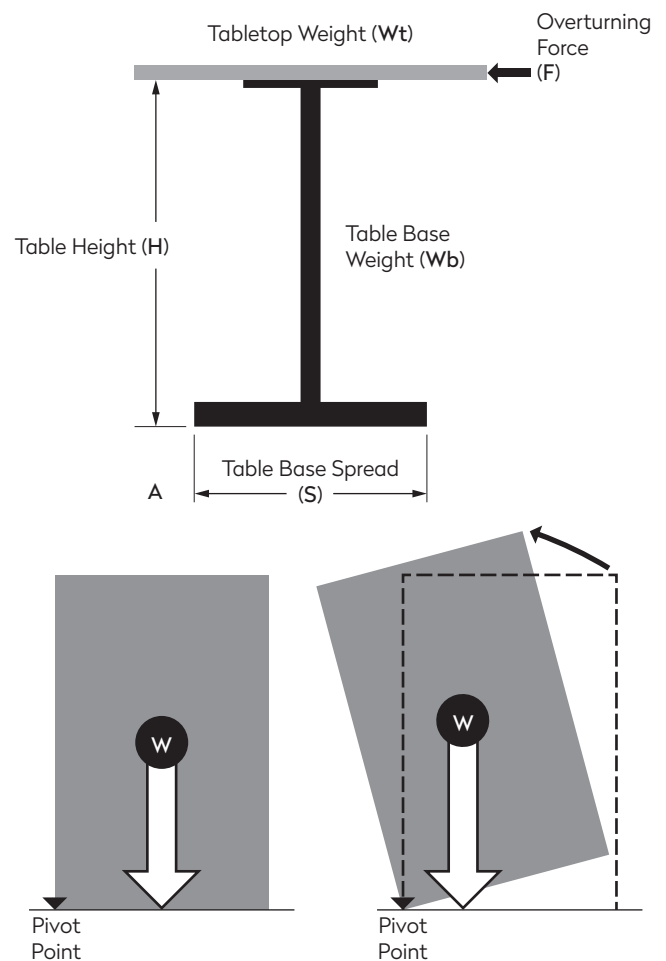


TABLE 1: TABLE BASE GUIDANCE

Base Weight Guidance Based on Table Height (H) and Table Base Spread (S) for DuPont Corian® Tabletop Products for an Overturning Force of 25-lbf.

Corian® Tabletops Product Description	Table Height (40 - 41 in)					Table Height (34 - 36 in)					Table Height (28 - 30 in)					Table Height (18 - 19 in)				
	Optional Base Leg Spread (in)					Optional Base Leg Spread (in)					Optional Base Leg Spread (in)					Optional Base Leg Spread (in)				
	18	24	30	36	40	18	24	30	36	40	18	24	30	36	40	18	24	30	36	40
	Recommended Base Weight (pounds)					Recommended Base Weight (pounds)					Recommended Base Weight (pounds)					Recommended Base Weight (pounds)				
24"x20"	90	61	44	33	27	76	51	36	26	21	59	38	26	18	15	29	16	15	15	15
24"x24"	85	57	40	28	22	71	46	31	21	16	55	34	21	15	15	24	15	15	15	15
24"x30"	78	49	32	21	15	64	39	24	15	15	47	26	15	15	15	17	15	15	15	15
27" x 27"	77	49	32	20	15	64	38	24	15	15	47	26	15	15	15	16	15	15	15	15
30" x 48"	Two base units weighing 15 pounds or more suggested for this Tabletop (reference Figure 3).					Two base units weighing 15 pounds or more suggested for this Tabletop (reference Figure 3).					Two base units weighing 15 pounds or more suggested for this Tabletop (reference Figure 3).					Two base units weighing 15 pounds or more suggested for this Tabletop (reference Figure 3).				
36" x 36"	49	21	15	15	15	35	15	15	15	15	19	15	15	15	15	15	15	15	15	15
42"x42"	span too small	15	15	15	15	span too small	15	15	15	15	span too small	15	15	15	15	span too small	15	15	15	15
24" Round	87	59	42	30	25	74	48	34	24	19	57	36	24	15	15	26	15	15	15	15
29 3/4" Round	69	41	24	15	15	56	30	16	15	15	39	18	15	15	15	15	15	15	15	15
36" Round	49	21	15	15	15	36	15	15	15	15	19	15	15	15	15	15	15	15	15	15
42" Round	26	15	15	15	15	15	15	15	15	15	15	15	15	15	15	15	15	15	15	15

TO USE TABLE 1

Select table height range in top row of table.

1. Select Corian® Tabletops product in left column.
2. Above two selections limit the applicable cells of Table 1 to a five table cells in one row. As an example: for 30-inch table height and a 36-inch round Corian® Tabletop, the applicable area of table is shown in the lower box in Figure 2:

3. This appropriate section of Table 1 can now be used to select table base options based on the table base spread (highlighted in the upper box in Figure 2). For a given table base spread, the minimum table base weight, suggested by the overturning model, is tabulated in the table. Most table base manufacturers list leg span and spread for X-cross base offerings. Use the smaller spread value versus the longer diagonal span, since the spread is most appropriate to control tip over, see Figure 4. Figure 2: Example: For a 30-inch height table application of a 36-inch round Corian® Tabletop a base weighing 19-pounds or more is suggested for a base spread of 18-inches.

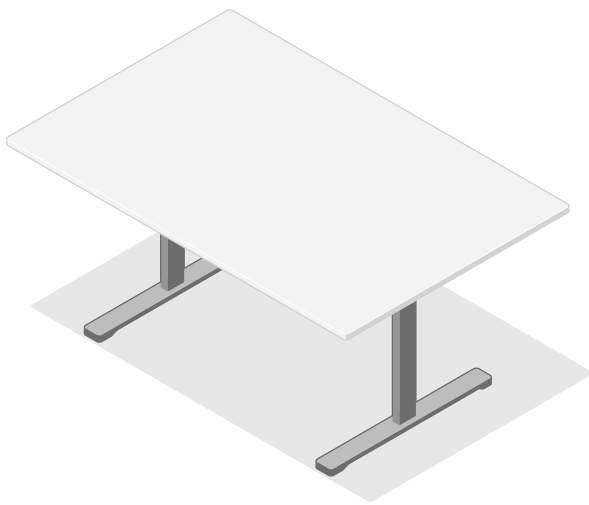
FIGURE 2: EXAMPLE FOR USE OF TABLE 1

Corian® Tabletops Product Description	Table Height (28 - 30 in)				
	Optional Base Leg Spread (in)				
	18	24	30	36	40
	Recommended Base Weight (pounds)				
24"x20"	59	38	26	18	15
24"x24"	55	34	21	15	15
24"x30"	47	26	15	15	15
27" x 27"	47	26	15	15	15
30" x 48"	Two base units weighing 15 pounds or more suggested for this Tabletop (reference Figure 3).				
36" x 36"	19	15	15	15	15
42"x42"	span too small	15	15	15	15
24" Round	57	36	24	15	15
29 3/4" Round	39	18	15	15	15
36" Round	19	15	15	15	15
42" Round	15	15	15	15	15

MULTI LEG GUIDANCE

Numerous table base manufacturers offer bases with multiple columns, e.g., trestle or T-bases, reference Figure 3. Using such bases can increase the stability of the table top to resist tip over. The table load is distributed over a wider area and table top flexural can be reduced relative to a single pedestal column. Another alternative is use of several smaller bases under larger tops to achieve the same goals. For example, the T-bases in Figure 3 could be replaced with X-cross base elements. The Corian® 30 by 42-inch rectangular Tabletop would be best supported with multiple columns.

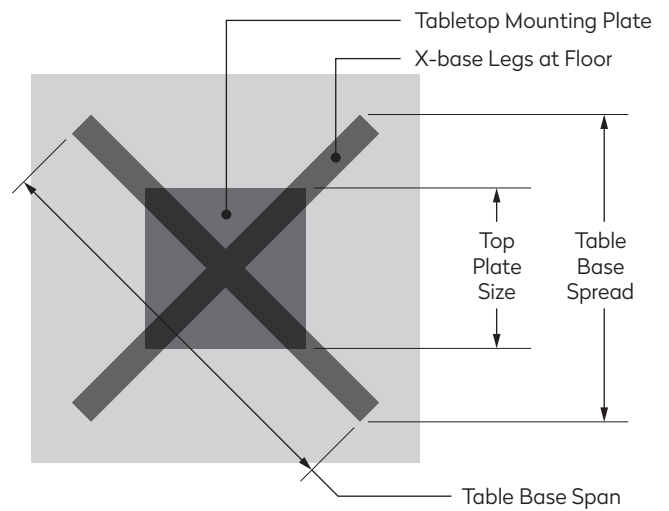
FIGURE 3: TRESTLE OR T-BASE EXAMPLE



GUIDANCE ON TABLETOPS ATTACHMENT TO A TABLE BASE

Table top mounting plate size will affect the ability to securely mount Corian® Tabletops to selected bases. Larger top plate size is preferential. Typical bases will have plate dimensions of 8-inches or more with 8 clearance holes for mounting the base to the Corian® Tabletop. Screw size, penetration depth, and torque are most important in achieving a solid mounting. Screws of #10 or #12 size of 5/8-inch length are suggested. Using screws longer than 5/8-inch length may require shims to be used between the mounting plate and the Corian® Tabletop. Do not over torque screws, as it can significantly reduce screw holding force levels.

FIGURE 4: PLAN VIEW OF TABLE ASSEMBLY FROM FLOOR, UPWARD



CORIAN® TABLETOPS BASE SELECTION GUIDANCE

PLEASE VISIT OUR WEB SITE: WWW.CORIAN.COM OR CONTACT YOUR CORIAN® REPRESENTATIVE
FOR MORE INFORMATION ABOUT CORIAN®

This information is based on technical data that E. I. du Pont de Nemours and Company and its affiliates ("DuPont") believe to be reliable, and is intended for use by persons having technical skill and at their own discretion and risk. DuPont cannot and does not warrant that this information is absolutely current or accurate, although every effort is made to ensure that it is kept as current and accurate as possible. Because conditions of use are outside DuPont's control, DuPont makes no representations or warranties, express or implied, with respect to the information, or any part thereof, including any warranties of title, non-infringement of copyright or patent rights of others, merchantability, or fitness or suitability for any purpose and assumes no liability or responsibility for the accuracy, completeness, or usefulness of any information. This information should not be relied upon to create specifications, designs, or installation guidelines. The persons responsible for the use and handling of the product are responsible for ensuring the design, fabrication, or installation methods and process present no health or safety hazards. Do not attempt to perform specification, design, fabrication, or installation work without proper training or without the proper personal protection equipment. Nothing herein is to be taken as a license to operate under or a recommendation to infringe any patents. DuPont shall have no liability for the use of or results obtained from such information, whether or not based on DuPont's negligence. DuPont shall not be liable for (i) any damages, including claims relating to the specification, design, fabrication, installation, or combination of this product with any other product(s), and (ii) special, direct, indirect or consequential damages. DuPont reserves the right to make changes to this information and to this disclaimer. DuPont encourages you to review this information and this disclaimer periodically for any updates or changes. Your continued access or use of this information shall be deemed your acceptance of this disclaimer and any changes and the reasonableness of these standards for notice of changes..

Copyright © 2018 E. I. du Pont de Nemours and Company. The Corian® Design Logo and Corian® are trademarks of E. I. du Pont de Nemours and Company or its affiliates. All rights reserved.