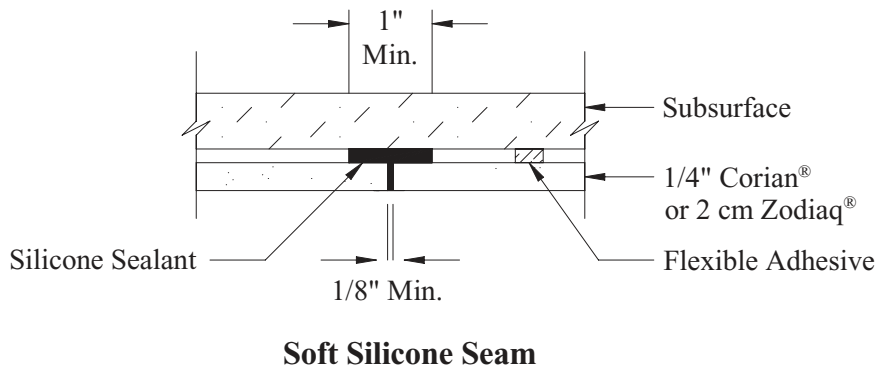
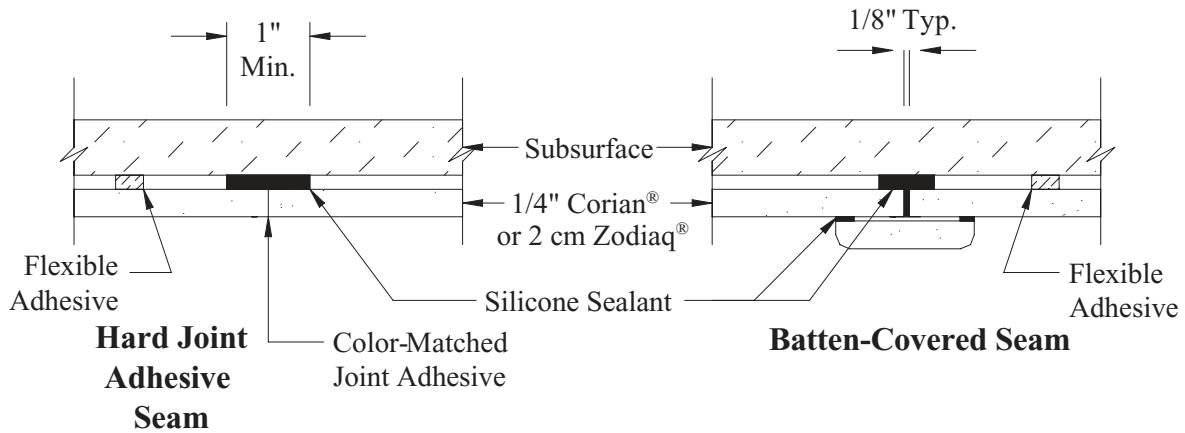


WALL CLADDING — WAINSCOTTING AND BUMPER RAILS



Q90-K03156-33 1/04

The information contained in this Technical Bulletin is given by E.I. du Pont de Nemours and Company free of charge. It is based on technical data which DuPont believes to be reliable and is intended for use by persons having knowledge of this technical area at their own discretion and risk. Seller assumes no responsibility for results obtained or damage incurred from the use of this Technical Bulletin either in whole or in part by a buyer of Zodiaq®. Zodiaq® is a DuPont registered trademark for its quartz surfaces. Only DuPont makes Zodiaq®. Copyright © 2004 E.I. du Pont de Nemours and Company. Printed in the U.S.A.

DuPont™
ZODIAQ®
 QUARTZ SURFACES



The miracles of science™