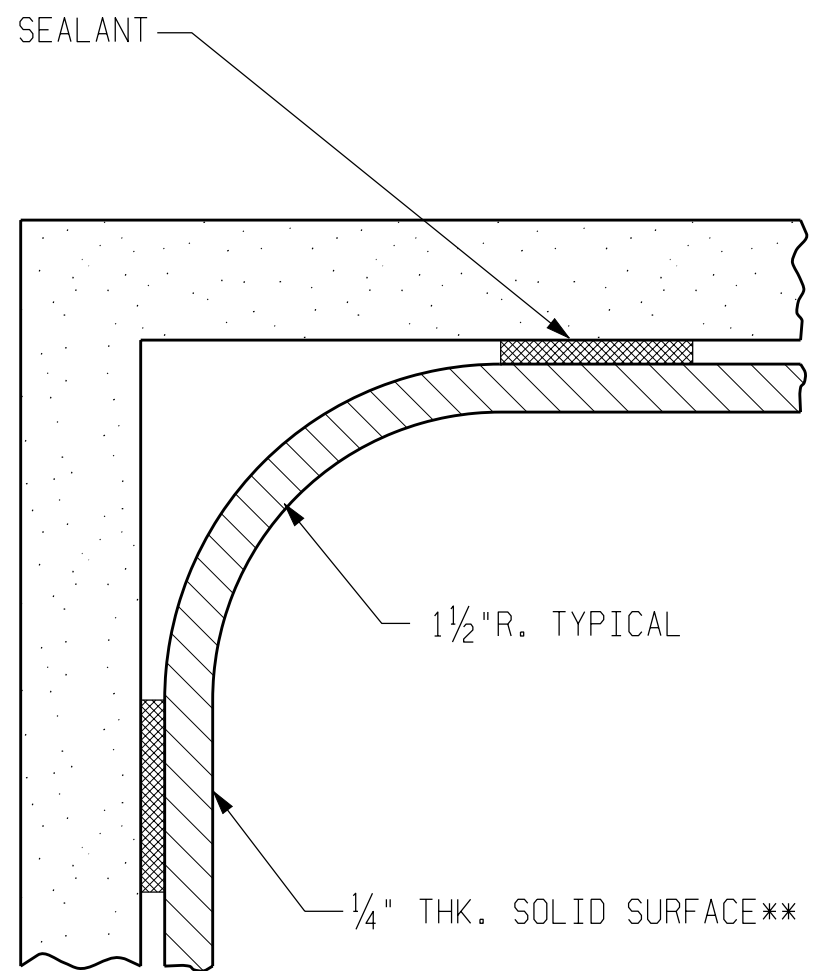


V - GROOVED COVE



THERMOFORMED

** 1/4" THK. SOLID SURFACE SHOWN. 1/2" SOLID SURFACE COULD ALSO BE USED.

Disclaimer - design

DuPont is the manufacturer of sheets of material and is not in the business of designing, fabricating or performing installations; and nor do we employ architects skilled in the art of design. Accordingly, we do not claim to have any expertise in this area. As a result, we do not approve or disapprove any designs or drawing submittals or assume any liability for the design you have selected. Any and all liability for a design rests with the architect, or the designer, or the owner, or the user, based on whatever contractual arrangements have been made.