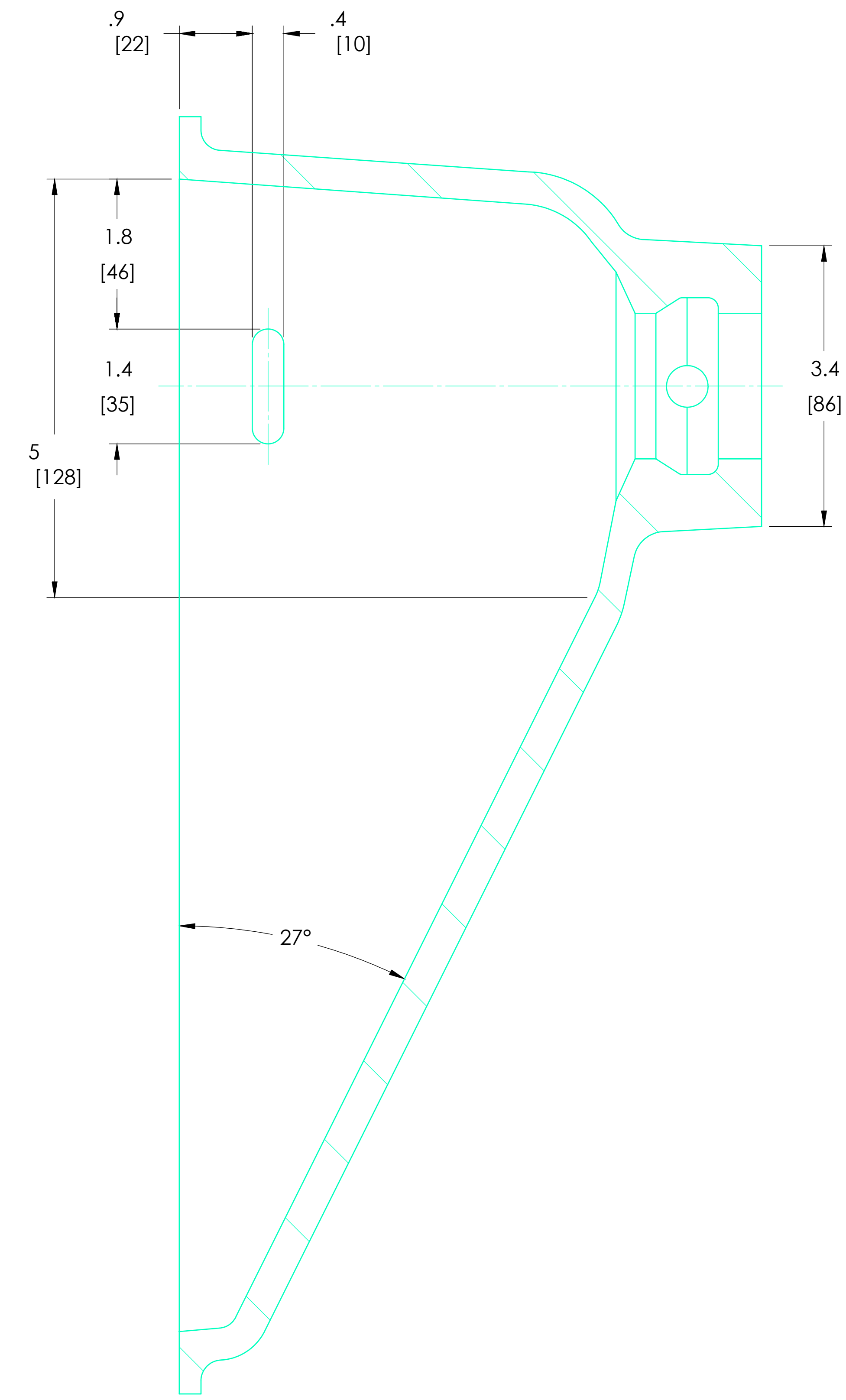


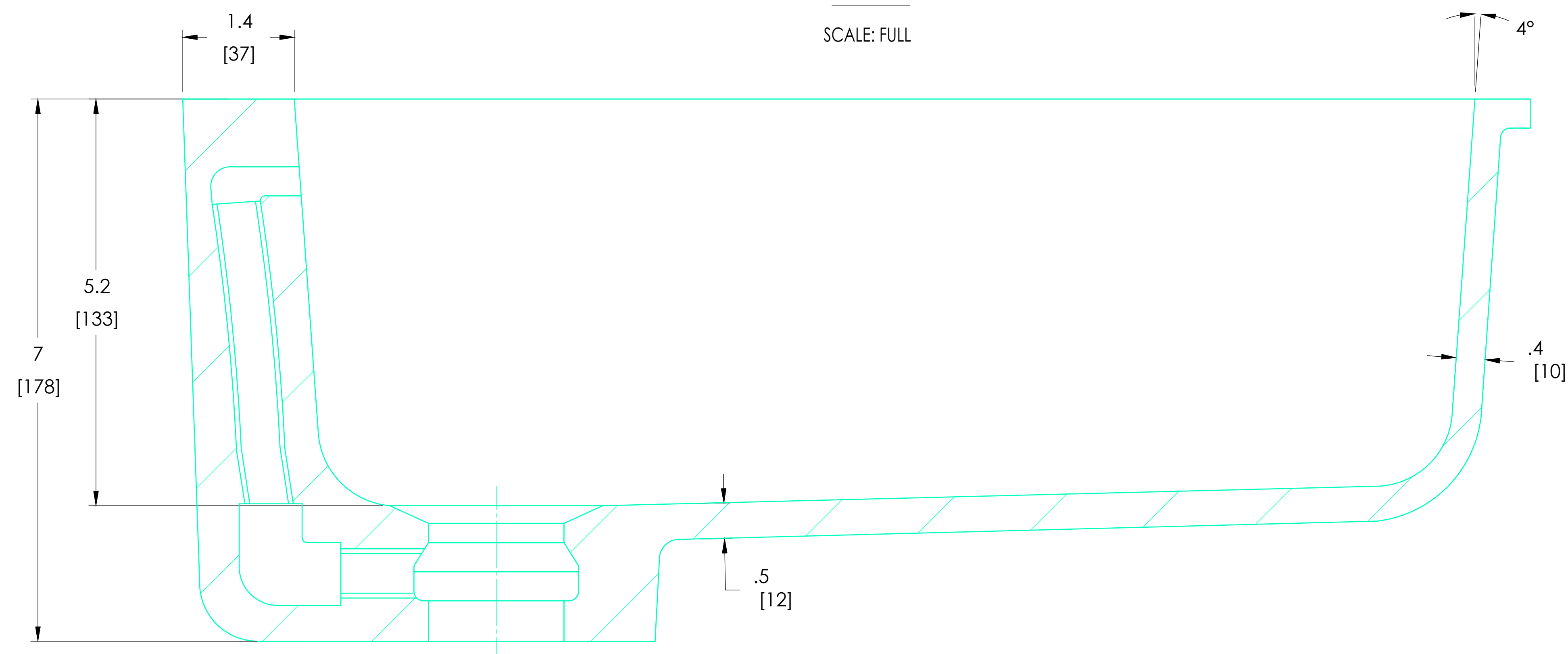
PLAN

SCALE: FULL



SECTION B-B

SCALE: FULL



SECTION A-A

SCALE: FULL

THIS DRAWING HAS BEEN FURNISHED BY E.I. DU PONT DE NEMOURS AND COMPANY. THE INFORMATION AND KNOWHOW THEREON MAY NOT BE USED NOR THE DRAWING REPRODUCED WITHOUT THE WRITTEN PERMISSION OF E.I. DU PONT DE NEMOURS AND COMPANY. ALL REPRODUCTIONS IN WHOLE OR IN PART, INCLUDING VENDORS SHOP DRAWINGS, SHALL BEAR OR REFER TO THIS STAMP.



8252_BOWL_
WITH_OVERFLOW_____
FABRICATOR_PART_DWG.

REV.	0	ISSUED_AS_RECORD_DRAWING	JWH	01/15/13	FD416522	J.HARRIS	01/15/13
------	---	--------------------------	-----	----------	----------	----------	----------