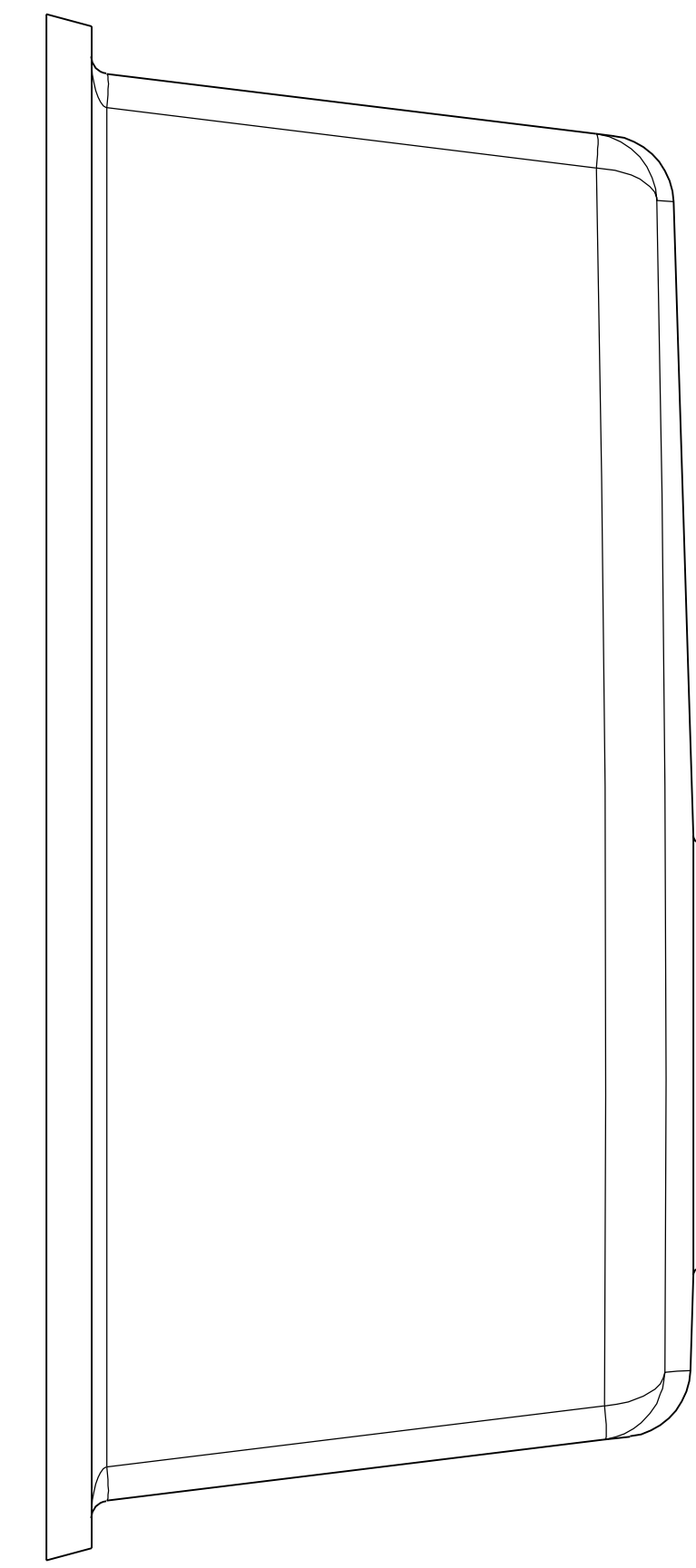
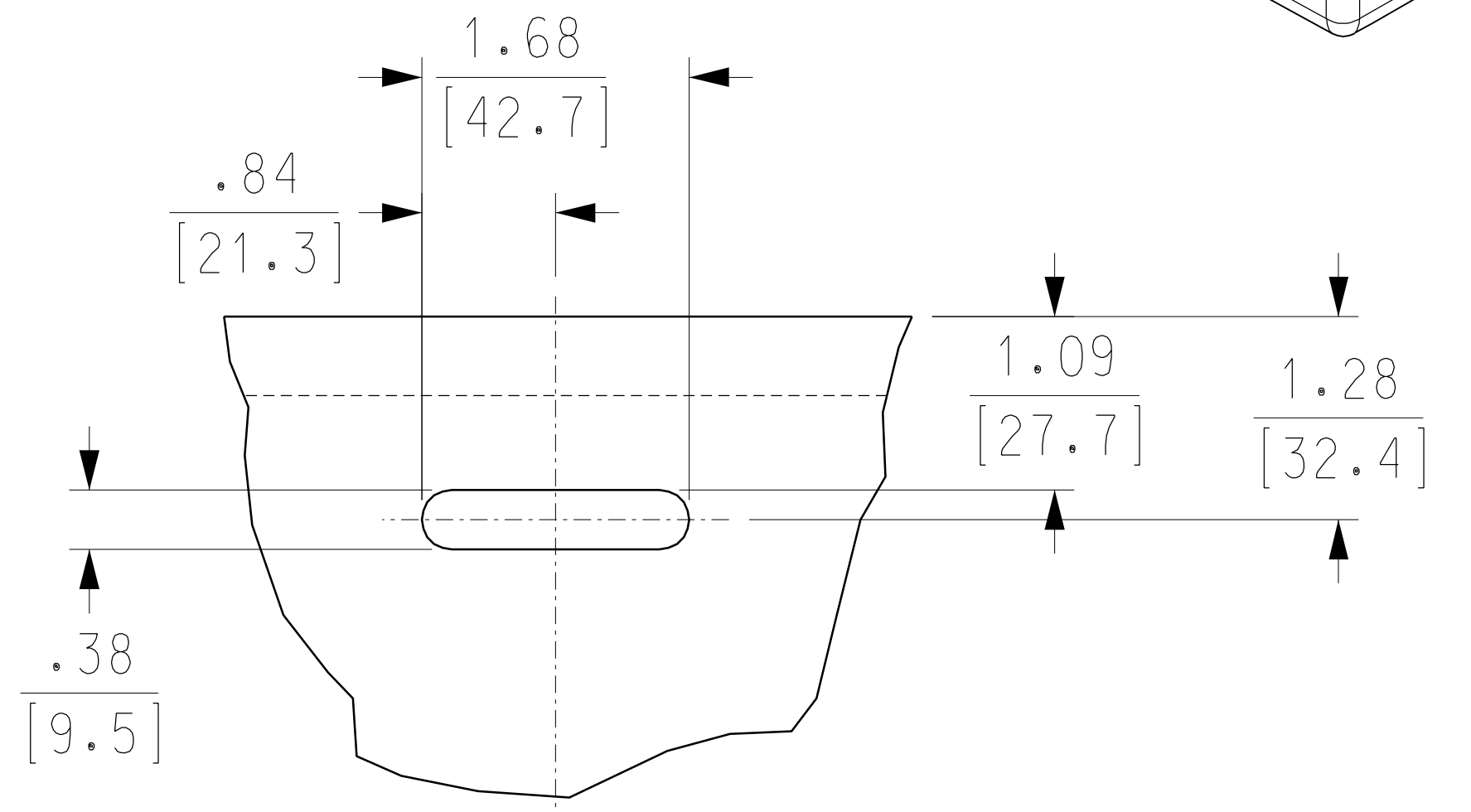
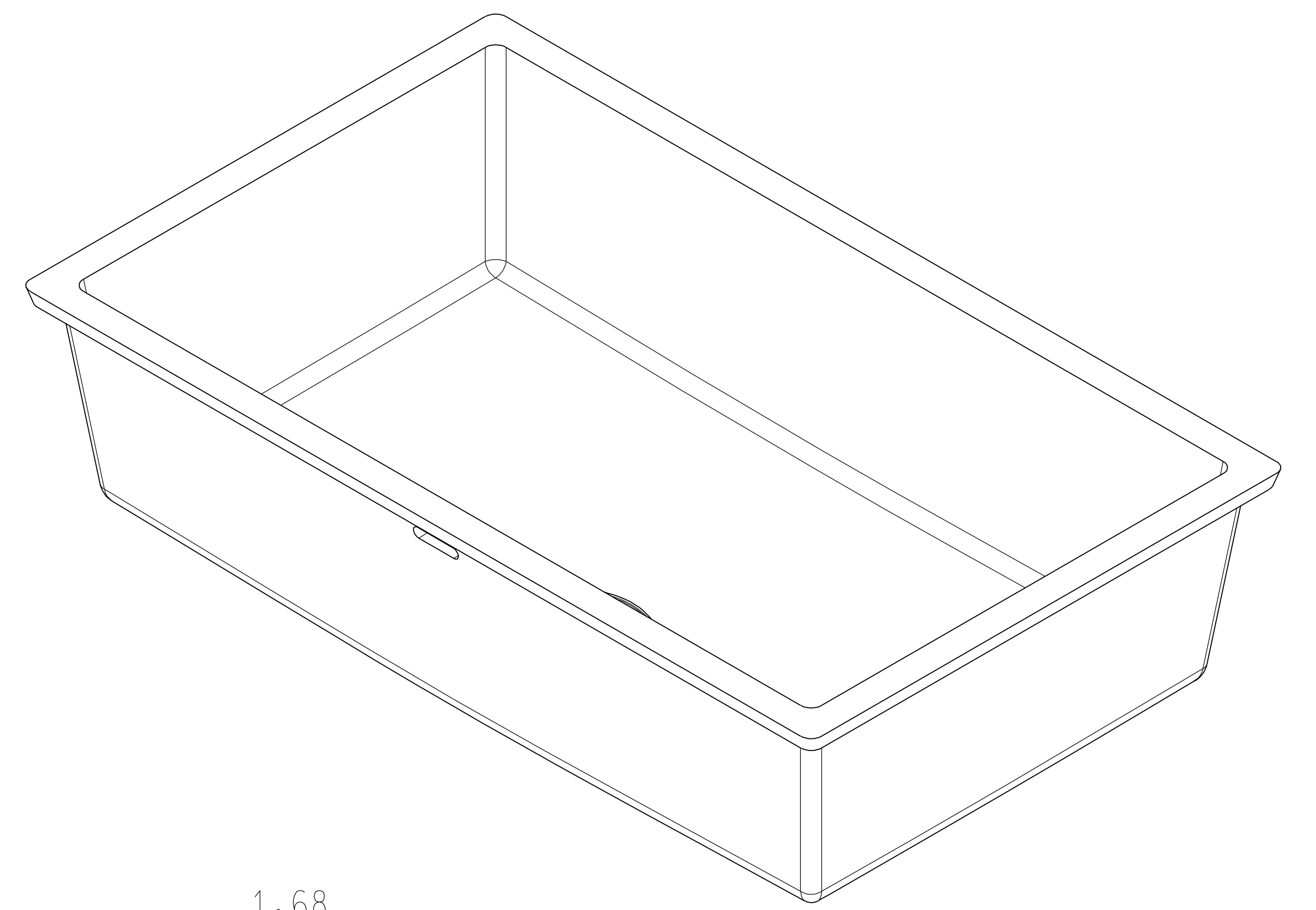


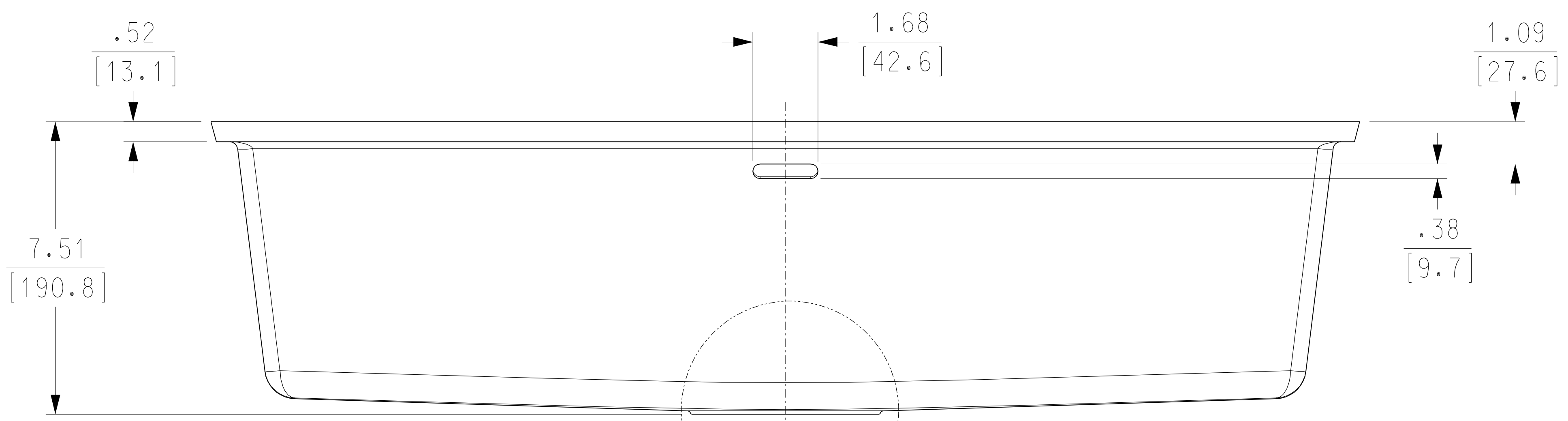
PLAN
SCALE: HALF



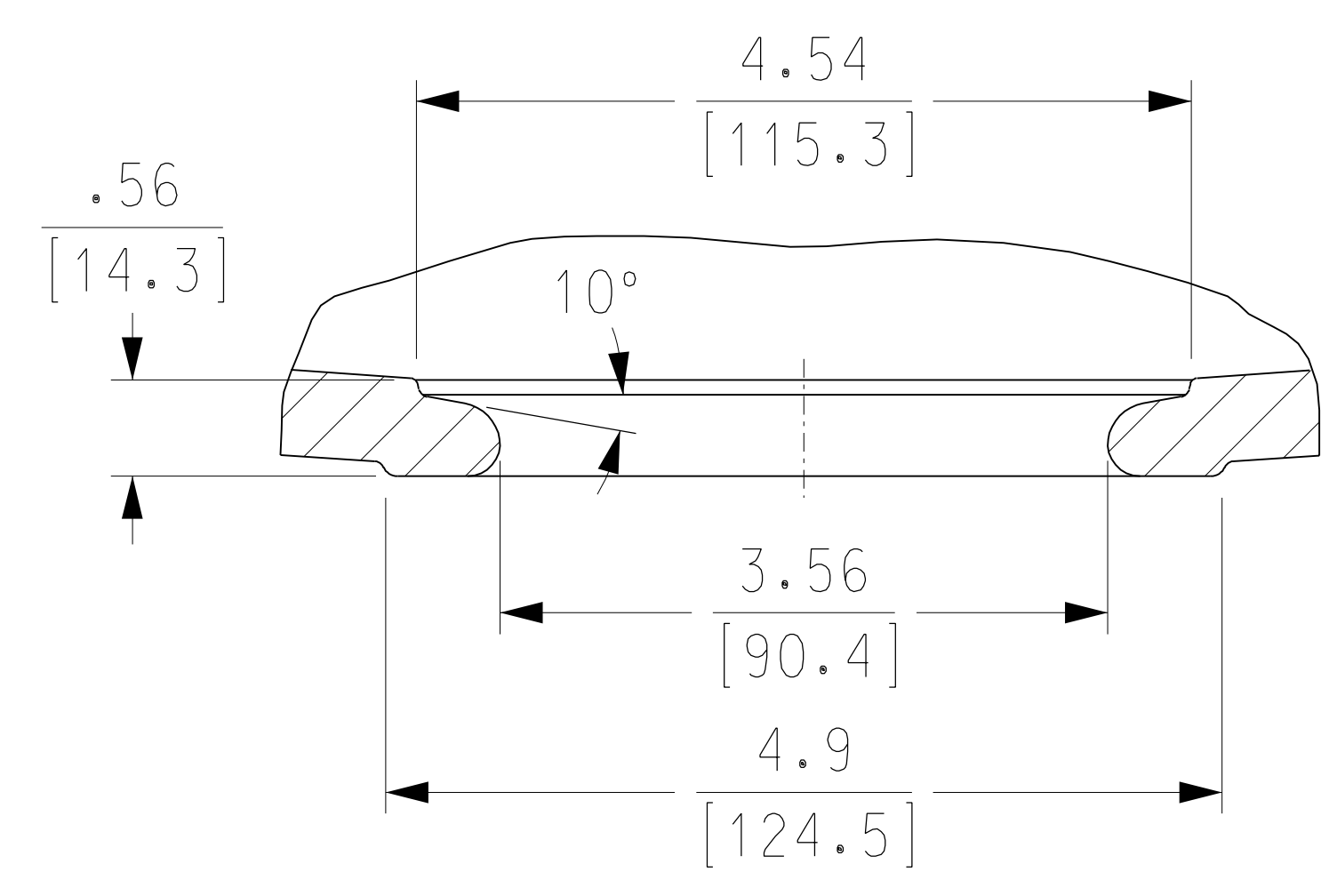
SIDE ELEVATION
SCALE: HALF



SECTION A-A
SCALE: FULL
OVERFLOW SLOT
EUROPEAN SINKS ONLY



FRONT ELEVATION
SCALE: HALF



SECTION B-B
SCALE: FULL
DRAIN DETAIL

SEE SECTION B-B

FD415060
LAST REV 0

BLDG	PROJ	DA	TYPE	LAST REV
	C-2490		36	FD415060 0

E. I. DU PONT DE NEMOURS & CO.
YERKES PLANT - BUFFALO, N.Y.
966 SINK
FABRICATOR PART

PROJ	NO	REVISION	RVSD	CHKD	APPD	DATE	PROJ	NO	REVISION	RVSD	CHKD	APPD	DATE	PROJ	NO	REVISION	RVSD	CHKD	APPD	DATE	DWGS	STDS
C-2490	0	ISSUED AS RECORD DRAWING	JMH	DKM	DKM	01/04/08															FD415061	

TOLERANCE ON ALL DIMENSIONS, UNLESS OTHERWISE NOTED, TO BE:
 ANGLES: ±0°-30'
 FRACTIONS: ±1/16"
 DECIMALS: ONE PLACE ±.05 IN.
 TWO PLACE ±.01 IN.
 THREE PLACE ±.005 IN.
 ALL DIMENSIONS ARE IN INCHES, UNLESS NOTED.
 THIRD ANGLE PROJECTION

PROJECT: C-2490
 SCALE: FULL
 DATE: 01/04/08
 DRAWN: J. HARRIS
 CHECKED: D. MACKEY
 APPROVED: D. MACKEY
 DESIGN RELEASE: D. MACKEY
 APPROVED: D. MACKEY
 CONSTR. RELEASE: D. MACKEY

THIS DRAWING HAS BEEN FURNISHED BY E. I. DU PONT DE NEMOURS & CO. THE INFORMATION AND KNOW-HOW THEREON MAY NOT BE USED NOR THE DRAWING REPRODUCED WITHOUT THE WRITTEN PERMISSION OF DU PONT. ALL REPRODUCTIONS IN WHOLE OR IN PART, INCLUDING VENDOR'S SHOP DRAWINGS, SHALL BEAR OR REFER TO THIS STAMP.

E. I. DU PONT DE NEMOURS & CO., INC.
 YERKES PLANT - BUFFALO, N.Y.
 YERKES ENGINEERING ORGANIZATION
 FD415060