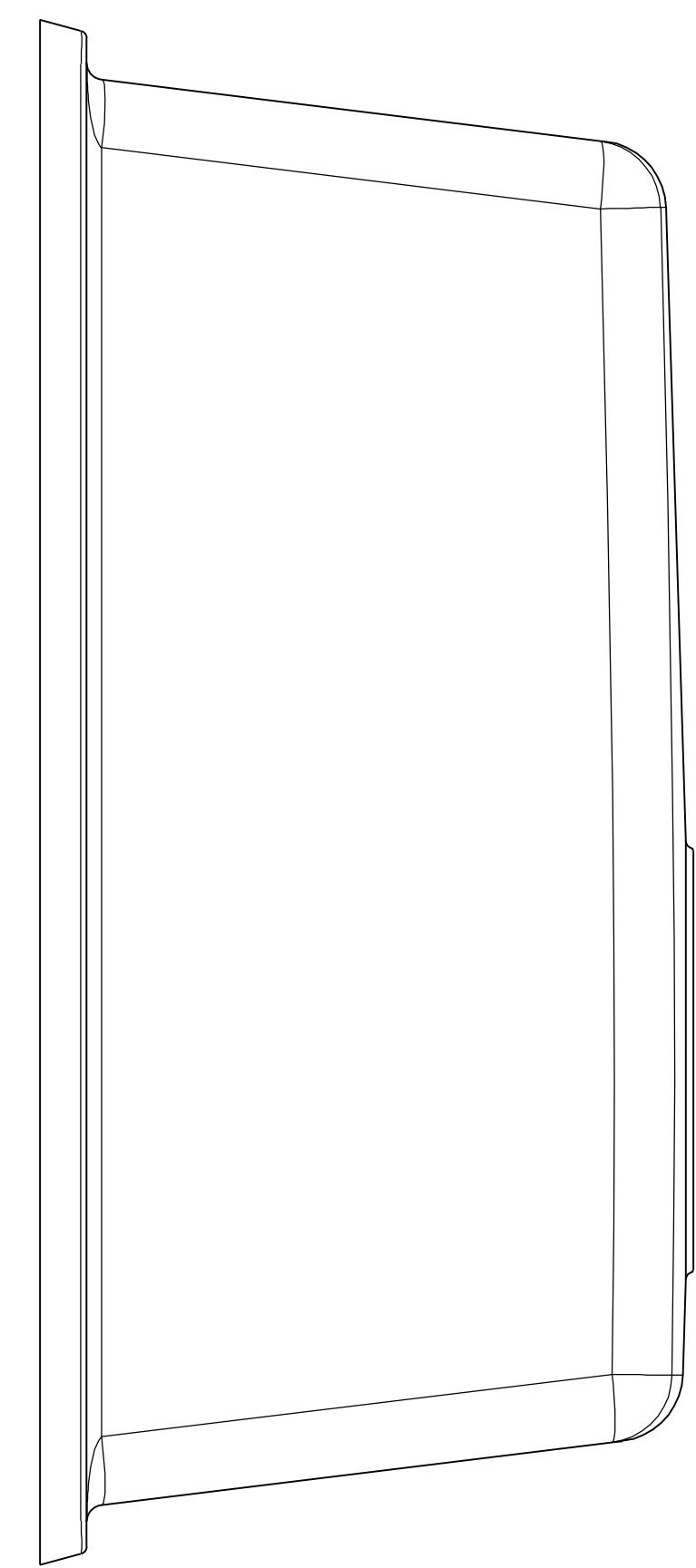
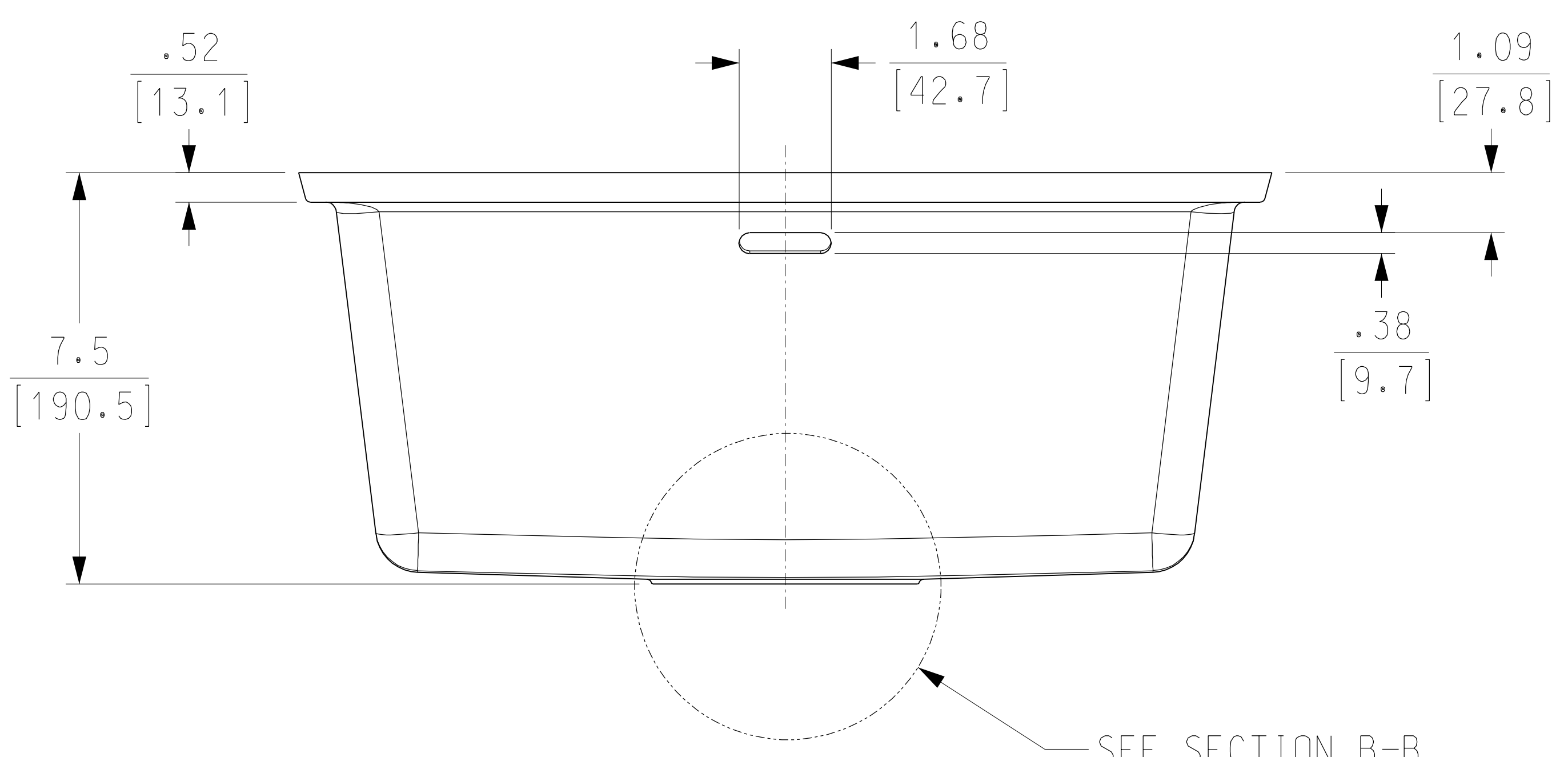
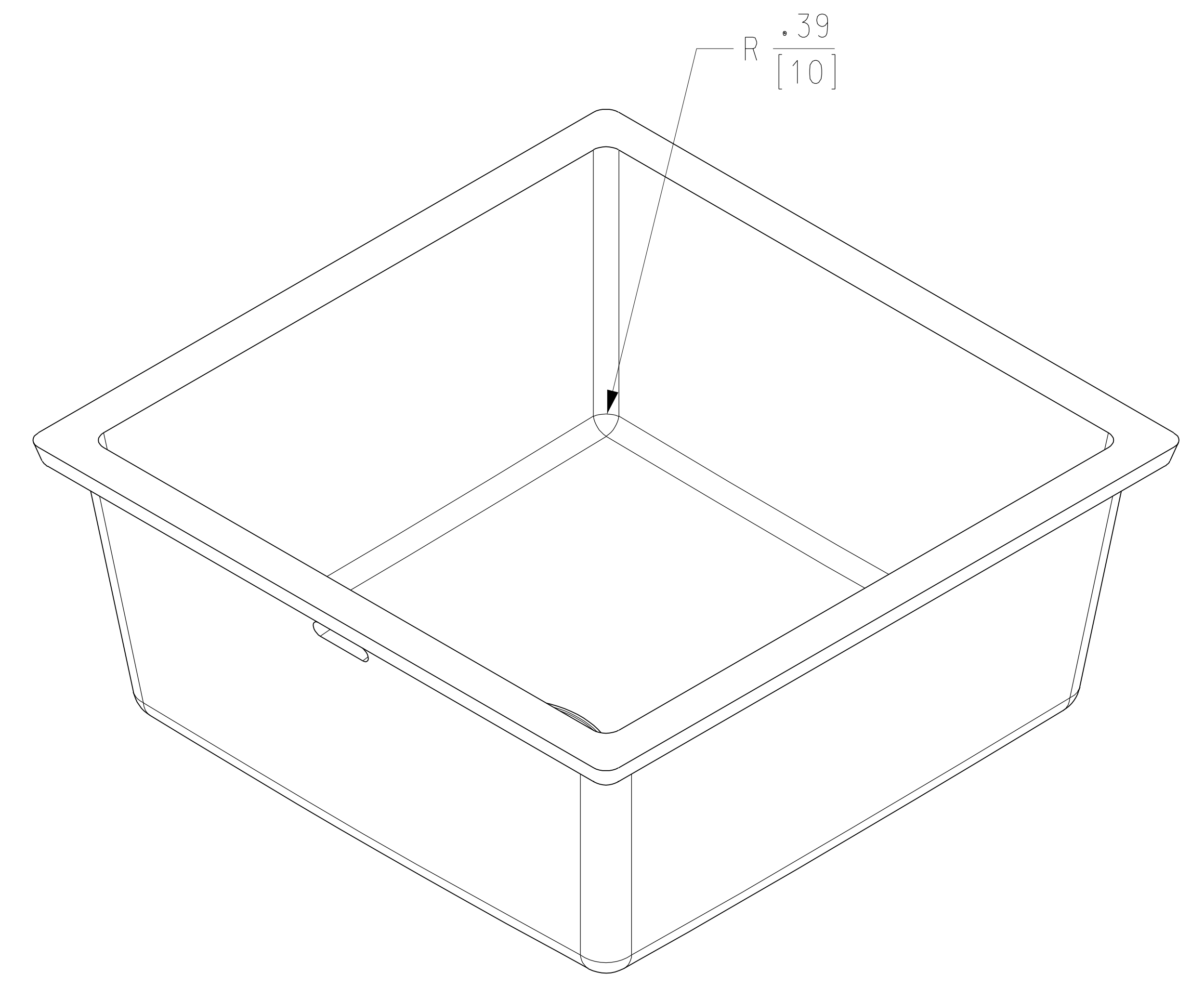


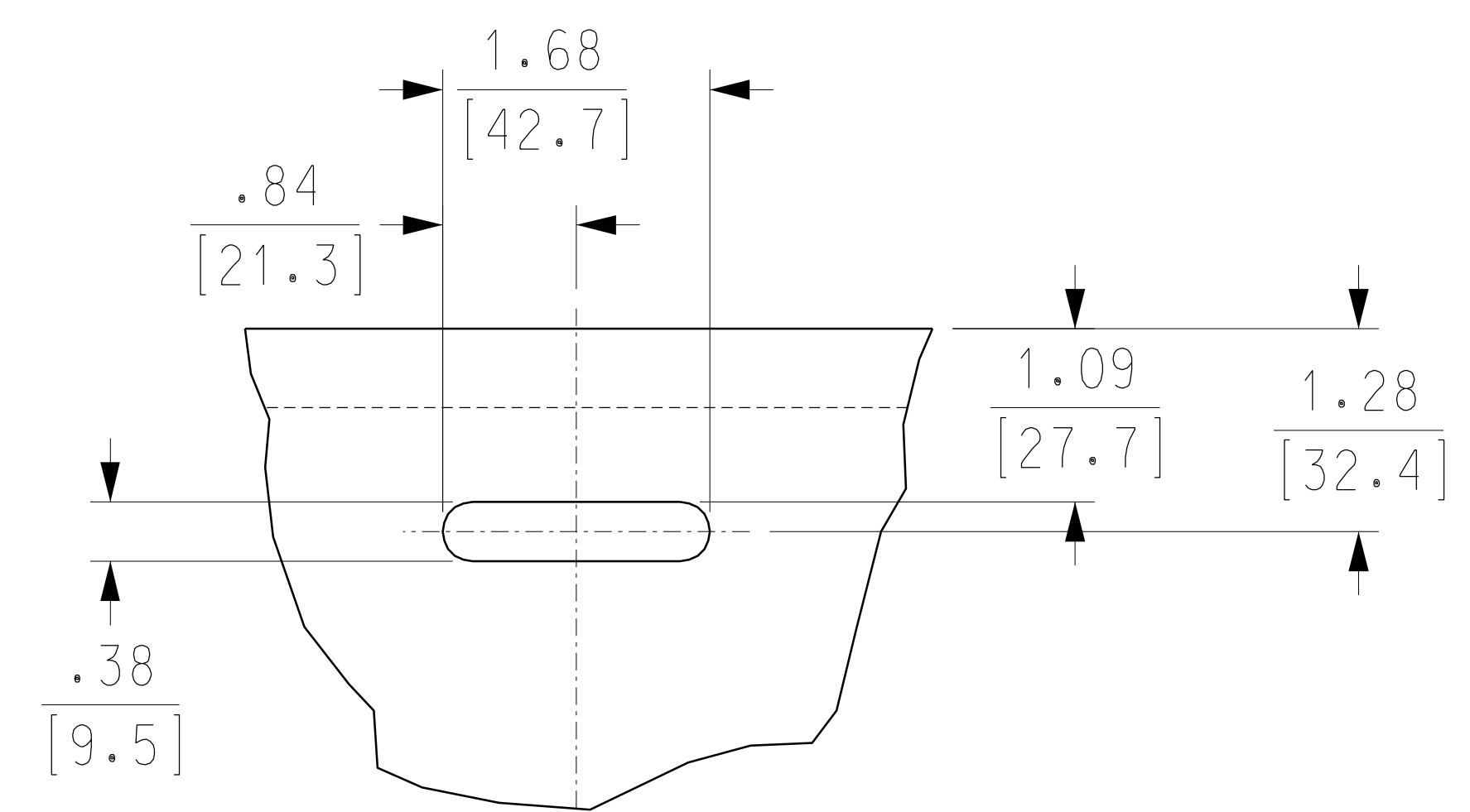
PLAN
SCALE: HALF



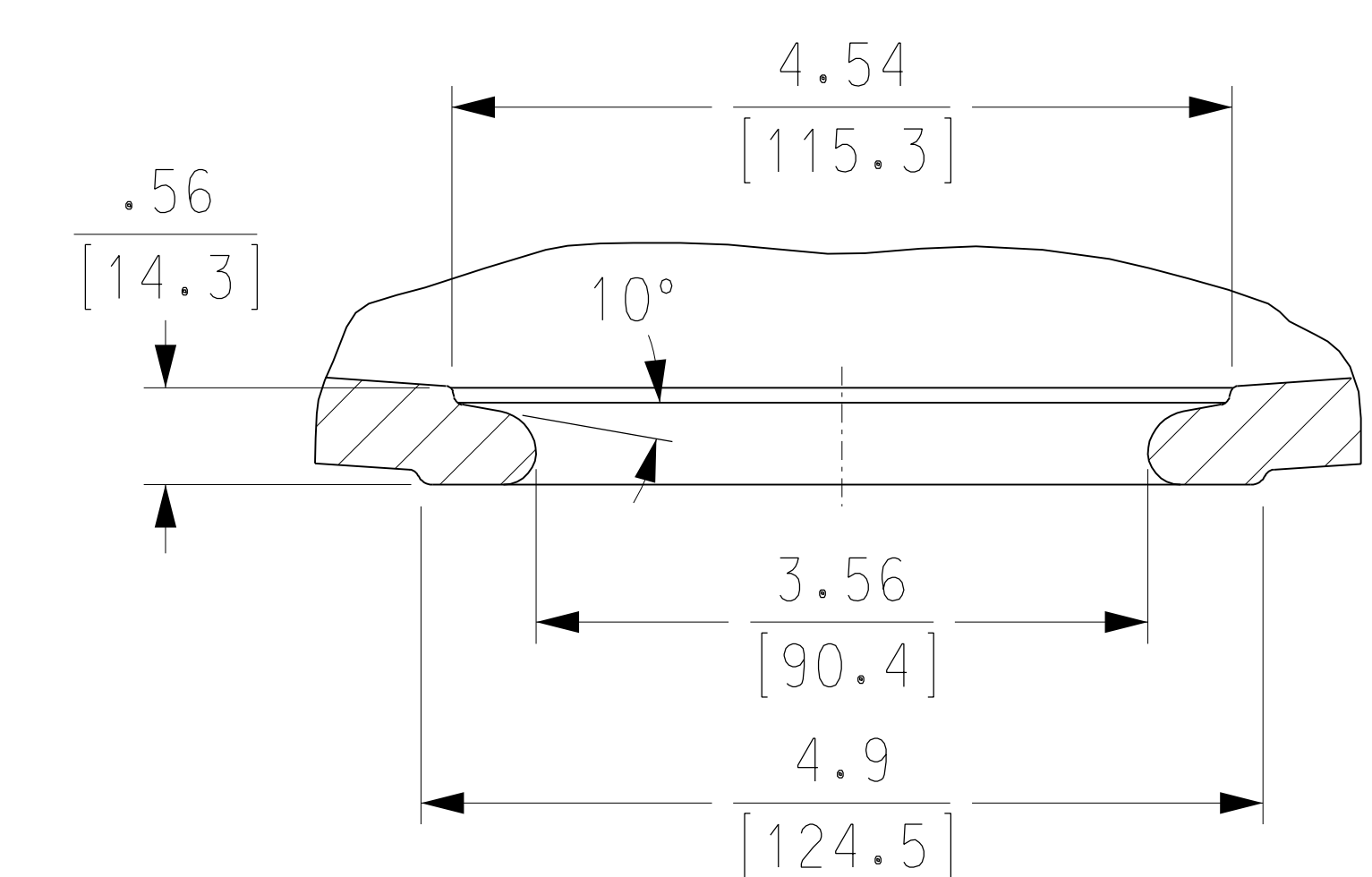
SIDE ELEVATION
SCALE: HALF



FRONT ELEVATION
SCALE: HALF



SECTION A-A
SCALE: FULL
OVERFLOW SLOT
EUROPEAN SINKS ONLY



SECTION B-B
SCALE: FULL
DRAIN DETAIL

FD415058 LAST 0 REV

BLDG	PROJ	DA	TYPE	LAST REV
	C-2490		36	FD415058 0

E. I. DU PONT DE NEMOURS & CO.
YERKES PLANT - BUFFALO, N. Y.
965 SINK
FABRICATOR PART

PROJ	NO	REVISION	RVSD	CHKD	APPD	DATE	PROJ	NO	REVISION	RVSD	CHKD	APPD	DATE	PROJ	NO	REVISION	RVSD	CHKD	APPD	DATE	DWGS	STDS	TOLERANCE ON ALL DIMENSIONS, UNLESS OTHERWISE NOTED, TO BE:	PROJECT: C-2490
																							ANGLES: ±0°-30'	SCALE: FULL
																							FRACTIONS: ±1/16"	DATE: 01/04/08
																							DECIMALS: ONE PLACE = ±.05 IN.	DRAWN: J. HARRIS
																							TWO PLACE = ±.01 IN.	CHECKED: D. MACKEY
																							THREE PLACE = ±.005 IN.	APPROVED: D. MACKEY
																							ALL DIMENSIONS ARE IN INCHES, UNLESS NOTED.	DESIGN RELEASE: 01/04/08
																							THIRD ANGLE PROJECTION	APPROVED: 01/04/08
																							THIS DRAWING HAS BEEN FURNISHED BY E. I. DU PONT DE NEMOURS & CO. THE INFORMATION AND KNOW-HOW THEREON MAY NOT BE USED NOR THE DRAWING REPRODUCED WITHOUT THE WRITTEN PERMISSION OF DU PONT. ALL REPRODUCTIONS IN WHOLE OR IN PART, INCLUDING VENDOR'S SHOP DRAWINGS, SHALL BEAR OR REFER TO THIS STAMP.	CONSTR. RELEASE:
																							E. I. DU PONT DE NEMOURS & CO., INC. YERKES PLANT - BUFFALO, N. Y. YERKES ENGINEERING ORGANIZATION	
																							FD415058	