

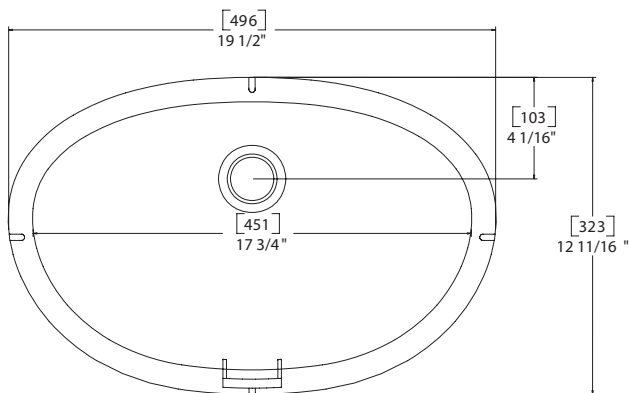
Lavatories

816

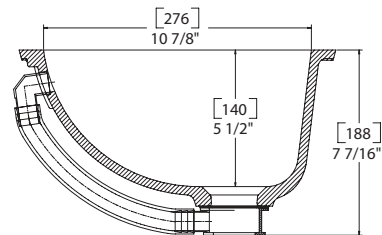
816

Add enduring elegance with this elongated oval bowl for narrow-depth vanities.

- ▶ Offers a seamless, easy-to-clean surface when coordinated with Corian® vanity tops
- ▶ Nonporous surface inhibits growth of mold and mildew
- ▶ Suitable for multibowl installations in both residential and commercial settings
- ▶ See *Color Options* page at the beginning of Lavatories Section for available colors



TOP VIEW



SIDE CROSS-SECTION

816 (SEAMED UNDERMOUNT)

INSIDE BOWL DIMENSIONS

	Length	×	Width	×	Depth
inches	17 ³ / ₄		10 ⁷ / ₈		5 ¹ / ₂
(mm)	(451)		(276)		(140)

For an explanation of installation options, see *Installation/Accessories*.

All drain holes in lavatories are nominally 1³/₄" in diameter and accept all standard drain hardware.

Metric conversions are approximate.



corian.