

850P SINK

Smooth Collection

Equal-sized double sinks bring simple elegance and practicality to your kitchen design

- Made from an acrylic-polyester based material
- Nonporous surface, that with proper cleaning, resists mold, mildew and stains
- Rounded and recessed bull-nose divider separate sinks

SINK DIMENSIONS

	Length	Width	Depth
inches	29	16 3/4	9
mm	737	424	229

LEFT BOWL DIMENSIONS

	Length	Width	Depth
inches	14 1/8	16 3/4	9
mm	357	424	229

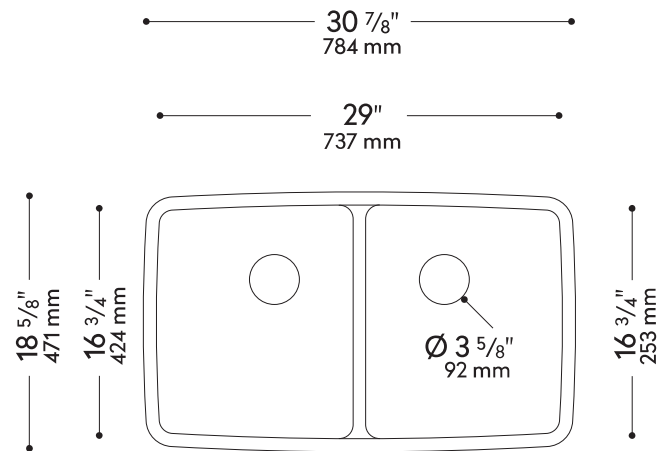
RIGHT BOWL DIMENSIONS

	Length	Width	Depth
inches	14 1/8	16 3/4	9
mm	357	424	229

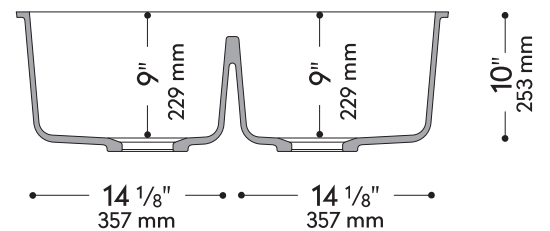
Measurements rounded to nearest 1/8" or mm



TOP VIEW



FRONT CROSS SECTION



DRAIN

All drain holes in sinks are nominally 3 5/8" in diameter and accept all standard drain hardware.