

# 5610 SINK

## Accessible Collection

### *Ideal ADA compliant kitchen sink*

- Made from an acrylic-polyester based material
- Nonporous surface, that with proper cleaning, resists mold, mildew and stains
- Great for assisted living centers or multi-family residences
- Shallow at front and slopes towards drain
- ADA compliant when installed according to guidelines

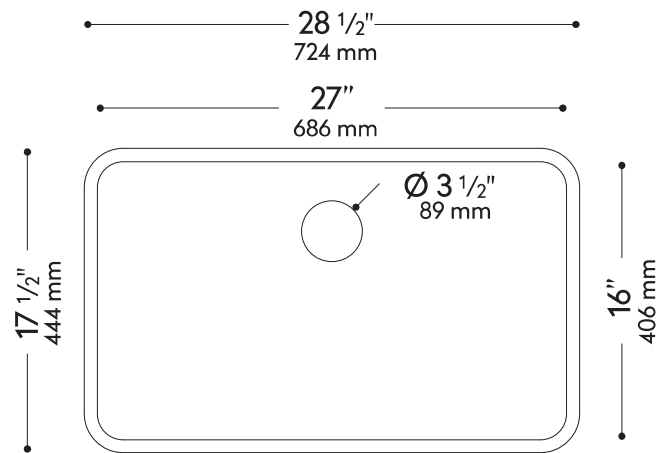
### INSIDE SINK DIMENSIONS

	Length	Width	Depth
inches	27	16	5 1/2
mm	686	406	140

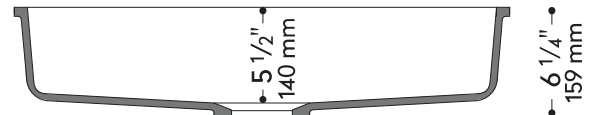
Measurements rounded to nearest 1/8" or mm



### TOP VIEW



### FRONT CROSS SECTION



### DRAIN

All drain holes in sinks are nominally 3 1/2" in diameter and accept all standard drain hardware.