

# 5216 SINK

## Neat Collection

### *Extra-deep bowl*

- Made from an acrylic-polyester based material
- Nonporous surface, that with proper cleaning, resists mold, mildew and stains
- Offset drain to minimize splash, suitable for laboratory use
- Total depth is greater than 11"

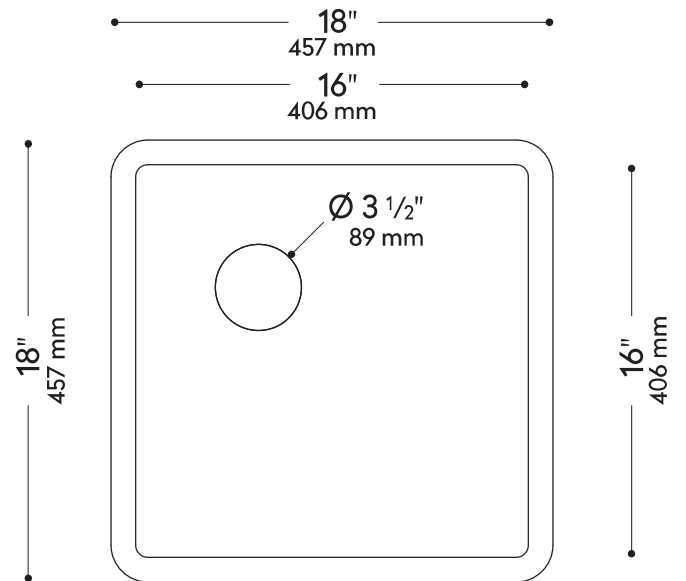
### INSIDE SINK DIMENSIONS

	Length	Width	Depth
inches	16	16	11 3/4
mm	406	406	298

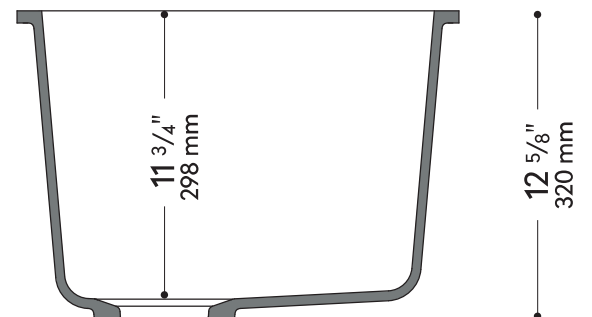
Measurements rounded to nearest 1/8" or mm



### TOP VIEW



### FRONT CROSS SECTION



### DRAIN

All drain holes in sinks are nominally 3 1/2" in diameter and accept all standard drain hardware.