

DUPONT™ CORIAN® SINK AND LAVATORY POSITIONING FOR ADA COMPLIANCE

INTRODUCTION

This guide is provided to help facilitate use and placement of DuPont™ Corian® lavatories per ADA guidelines. This guide is not intended to replace the Design Professional's review and understanding of the Americans with Disabilities Act (ADA) regulations as it relates to the installation of sinks and lavatories. These guidelines are provided as general reference for the installation of DuPont™ Corian® lavatories. It is the responsibility of the Design Professional to assure each installation complies with ADA requirements. These guidelines are based on ADA regulations in effect as of 2010. See ADA Standards for Accessible Design at <http://www.usdoj.gov/crt/ada/stdspdf.htm>.

A. DUPONT™ CORIAN® LAVATORY OVERVIEW

The table below provides an overview of the DuPont™ Corian® lavatories and sinks most often specified for use in an installation where ADA Compliance is desired.

The following points were drawn from the ADA to develop these placement guidelines.

- 34" (864 mm) maximum counter height,
- 27" (686 mm) minimum under counter (knee) clearance height,
- 8" (204 mm) minimum under counter (knee) clearance depth,
- 9" (229 mm) minimum (toe) clearance height and
- 17"-25" (432-635 mm) toe clearance depth under the counter. Any space extending greater than 6" (152 mm) beyond the knee clearance at 9" (229 mm) above the floor is not included in toe clearance calculations.

Unless noted, 4 1/2" (114 mm) clearance was allowed between the back of the bowl and the front of a 1/2" (12 mm) thick backsplash.

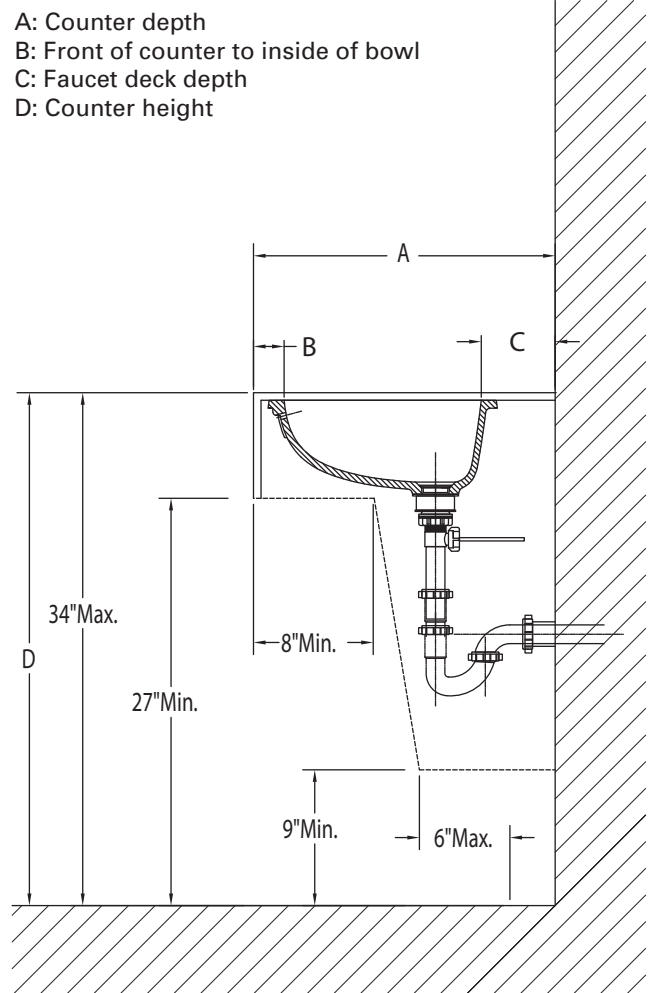


Figure A-1: Illustration of ADA Guidelines Used

DUPONT™ CORIAN® SINK AND LAVATORY POSITIONING FOR ADA COMPLIANCE

B. BOWL DETAILS

Table B-1: Bowl Selection And Positioning Guide Based On Counter Height

"D" Countertop Height	"A" Counter Width	Bowl Style	Overflow Location	Range of Bowl Positioning Options (no skirt)			Range of Bowl Positioning Options (skirt)		
				Inches from front of counter to inside edge of bowl		"C" Faucet Deck Depth*	Inches from front of counter to inside edge of bowl		"C" Faucet Deck Depth*
				"B" Minimum	"B" Maximum		"B" Minimum	"B" Maximum	
				Forward Bowl Position	Rear Bowl Position		Forward Bowl Position	Rear Bowl Position	
34"	26"	5610	None	2.0	3.0	5.0	2.0	3	5.0
	25"								
	24"	810	Front	2.0	5.9	5.0	5.3	5.9	5.0
			Offset	2.0	5.9	5.0	3.4	5.9	5.0
			Back/Side/None	2.0	5.9	5.0	2.0	5.9	5.0
		810P	Front	2.0	5.9	5.0	4.8	5.9	5.0
		815	Front	2.0	4.6	5.0	6.0	6.0	3.6
			Offset	2.0	4.6	5.0	5.0	5.0	4.6
			Side/None	2.0	4.6	5.0	3.8	4.6	5.0
		816	Front	3.0	8.3	5.0	5.7	8.3	5.0
			Offset	3.0	8.3	5.0	4.3	8.3	5.0
			Side/None	3.0	8.3	5.0	3.5	8.3	5.0
		820	Front	3.0	8.5	5.0	6.0	8.5	5.0
			Offset	3.0	8.5	5.0	4.4	8.5	5.0
			Side/None	3.0	8.5	5.0	3.5	8.5	5.0
		830	Front	2.5	5.2	5.0	7.7	7.7	2.5
		831	Front	2.0	5.6	5.0	3.3	5.6	5.0
		5414	None	2.5	5.0	5.0	3.0	5.0	5.0
		8252	Side/None	2.0	5.1	5.0	2.0	5.1	5.0
		8254	Front/None	2.0	6.3	5.0	3.0	6.3	5.0
	22"	810	Front	2.0	3.9	5.0	5.3	5.3	3.6
			Offset	2.0	3.9	5.0	3.4	3.9	5.0
			Back/Side/None	2.0	3.9	5.0	2.0	3.9	5.0
		810P	Front	2.0	3.9	5.0	4.8	4.8	4.2
		815	Front	2.0	2.6	5.0			
			Offset	2.0	2.6	5.0	5.0	5.0	2.6
Side/None			2.0	2.6	5.0	3.8	3.8	3.8	
816		Front	3.0	6.3	5.0	5.7	6.3	5.0	
		Offset	3.0	6.3	5.0	4.3	6.3	5.0	
		Side/None	3.0	6.3	5.0	3.5	6.3	5.0	
820		Front	3.0	6.5	5.0	6.0	6.5	5.0	
		Offset	3.0	6.5	5.0	4.4	6.5	5.0	
		Side/None	3.0	6.5	5.0	3.5	6.5	5.0	
830		Front	2.5	3.2	5.0				
831		Front	2.0	3.6	5.0	3.3	3.6	5.0	
5414		None	2.5	3.0	5.0	3.0	3.0	5.0	
8252		Side/None	2.0	3.1	5.0	2.0	3.1	5.0	
8254		Front/None	2.0	4.3	5.0	3.0	4.3	5.0	

* Faucet deck depths of less than 5" may require offset or wall mounted faucets. Depth is to wall, a backsplash will reduce area for faucets.

DUPONT™ CORIAN® SINK AND LAVATORY POSITIONING FOR ADA COMPLIANCE

"D" Countertop Height	"A" Counter Width	Bowl Style	Overflow Location	Range of Bowl Positioning Options (no skirt)			Range of Bowl Positioning Options (skirt)			
				Inches from front of counter to inside edge of bowl		"C" Faucet Deck Depth*	Inches from front of counter to inside edge of bowl		"C" Faucet Deck Depth*	
				"B" Minimum	"B" Maximum		"B" Minimum	"B" Maximum		
				Forward Bowl Position	Rear Bowl Position		Forward Bowl Position	Rear Bowl Position		
34"	21"	810	Front	2.0	2.9	5.0	5.3	5.3	2.6	
			Offset	2.0	2.9	5.0	3.4	3.4	4.6	
			Back/Side/None	2.0	2.9	5.0	2.0	2.9	5.0	
		810P	Front	2.0	2.9	5.0	4.8	4.8	3.2	
			815	Front	2.0	2.0	4.6			
				Offset	2.0	2.0	4.6			
		Side/None		2.0	2.0	4.6	3.8	3.8	2.8	
		816	Front	3.0	5.3	5.0	5.7	5.4	4.6	
			Offset	3.0	5.3	5.0	4.3	5.3	5.0	
			Side/None	3.0	5.3	5.0	3.5	5.3	5.0	
		820	Front	3.0	5.5	5.0	6.0	6.0	4.5	
			Offset	3.0	5.5	5.0	4.4	5.5	5.0	
			Side/None	3.0	5.5	5.0	3.5	5.5	5.0	
		830	Front	2.5	2.5	4.7				
	831	Front	2.0	2.6	5.0	3.3	3.3	4.3		
	5414	None	2.5	2.5	4.5	3.0	3.0	3.3		
	8252	Side/None	2.0	2.1	5.0	2.0	2.1	5.0		
	8254	Front/None	2.0	3.3	5.0	3.0	3.3	5.0		
	20"	810	Front	2.0	2.0	4.9				
			Offset	2.0	2.0	4.9	3.4	3.4	3.6	
			Back/Side/None	2.0	2.0	4.9	2.0	2.0	4.9	
		810P	Front	2.0	2.0	4.9	4.8	4.8	2.2	
		815	Front	2.0	2.0	3.6				
			Offset	2.0	2.0	3.6				
			Side/None	2.0	2.0	3.6				
		816	Front	3.0	4.3	5.0	5.7	5.7	3.6	
Offset			3.0	4.3	5.0	4.3	4.3	5.0		
Side/None			3.0	4.3	5.0	3.5	4.3	5.0		
820		Front	3.0	4.5	5.0	6.0	6.0	3.5		
		Offset	3.0	4.5	5.0	4.4	4.5	5.0		
	Side/None	3.0	4.5	5.0	3.5	4.5	5.0			
830	Front	2.5	2.5	3.7						
831	Front	2.0	2.0	4.6	3.3	3.3	3.3			
5414	None	2.5	2.5	3.5	3.0	3.0	3.0			
8252	Side/None	2.0	2.0	4.2	2.0	2.0	4.1			
8254	Front/None	2.0	2.3	5.0	3.0	3.0	4.3			

* Faucet deck depths of less than 5" may require offset or wall mounted faucets. Depth is to wall, a backsplash will reduce area for faucets.

DUPONT™ CORIAN® SINK AND LAVATORY POSITIONING FOR ADA COMPLIANCE

"D" Countertop Height	"A" Counter Width	Bowl Style	Overflow Location	Range of Bowl Positioning Options (no skirt)			Range of Bowl Positioning Options (skirt)			
				Inches from front of counter to inside edge of bowl		"C" Faucet Deck Depth*	Inches from front of counter to inside edge of bowl		"C" Faucet Deck Depth*	
				"B" Minimum	"B" Maximum		"B" Minimum	"B" Maximum		
				Forward Bowl Position	Rear Bowl Position		Forward Bowl Position	Rear Bowl Position		
34"	19"	810	Front	2.0	2.0	3.9				
			Offset	2.0	2.0	3.9	3.4	3.4	2.6	
			Back/Side/None	2.0	2.0	3.9	2.0	2.0	3.9	
		810P	Front	2.0	2.0	3.9				
			815	Front	2.0	2.0	2.6			
				Offset	2.0	2.0	2.6			
		816	Side/None	2.0	2.0	2.6				
			816	Front	3.0	3.3	5.0	5.7	5.7	2.6
				Offset	3.0	3.3	5.0	4.3	4.3	4.0
		820	Side/None	3.0	3.3	5.0	3.5	3.5	4.2	
			820	Front	3.0	3.5	5.0	6.0	6.0	2.5
				Offset	3.0	3.5	5.0	4.4	4.4	4.1
	830	Side/None	3.0	3.5	5.0	3.5	3.5	5.0		
		830	Front	2.5	2.5	2.7				
		831	Front	2.0	2.0	3.6	3.3	3.3	2.3	
	5414	None	2.5	2.5	2.5	3.0	3.0	2.0		
	8252	Side/None	2.0	2.0	3.2	2.0	2.0	3.1		
	8254	Front/None	2.0	2.0	3.5	3.0	3.0	3.3		
18"	810	Front	2.0	2.0	2.9					
		Offset	2.0	2.0	2.9					
		Back/Side/None	2.0	2.0	2.9	2.0	2.0	2.9		
	810P	Front	2.0	2.0	2.9					
		816	Front	3.0	3.0	4.3				
			Offset	3.0	3.0	4.3	4.3	4.3	3.0	
	820	Side/None	3.0	3.0	4.3	3.5	3.5	3.2		
		820	Front	3.0	3.0	4.5				
			Offset	3.0	3.0	4.5	4.4	4.4	3.1	
	831	Side/None	3.0	3.0	4.5	3.5	3.5	4.0		
		831	Front	2.0	2.0	2.6				
		8252	Side/None	2.0	2.0	2.2	2.0	2.0	2.1	
8254	Front/None	2.0	2.0	3.3	3.0	3.0	2.3			

* Faucet deck depths of less than 5" may require offset or wall mounted faucets. Depth is to wall, a backsplash will reduce area for faucets.

DUPONT™ CORIAN® SINK AND LAVATORY POSITIONING FOR ADA COMPLIANCE

"D" Countertop Height	"A" Counter Width	Bowl Style	Overflow Location	Range of Bowl Positioning Options (no skirt)			Range of Bowl Positioning Options (skirt)		
				Inches from front of counter to inside edge of bowl		"C" Faucet Deck Depth*	Inches from front of counter to inside edge of bowl		"C" Faucet Deck Depth*
				"B" Minimum	"B" Maximum		"B" Minimum	"B" Maximum	
				Forward Bowl Position	Rear Bowl Position		Forward Bowl Position	Rear Bowl Position	
33"	24"	810	Front	3.0	5.9	5.0	7.4	7.4	3.6
			Offset	3.0	5.9	5.0	6.4	6.4	4.5
			Back/Side/None	3.0	5.9	5.0	5.2	5.9	5.0
		810P	Front	3.0	5.9	5.0	7.1	7.1	3.9
		815	Front	4.5	4.6	5.0	7.4	7.4	2.2
			Offset	4.5	4.6	5.0	6.6	6.6	3.0
			Side/None	4.5	4.6	5.0	5.7	5.7	3.8
		816	Front	4.0	8.3	5.0	7.2	8.3	5.0
			Offset	4.0	8.3	5.0	6.3	8.3	5.0
			Side/None	4.0	8.3	5.0	5.4	8.3	5.0
		820	Front	4.0	8.5	5.0	7.7	8.5	5.0
			Offset	4.0	8.5	5.0	6.9	8.5	5.0
	Side/None		4.0	8.5	5.0	5.8	8.5	5.0	
	830	Front	4.8	5.2	5.0				
	831	Front	4.2	5.6	5.0	5.6	5.6	4.9	
	8252	Side/None	2.0	5.1	5.0	2.0	5.1	5.0	
	8254	Front/None	2.0	6.3	5.0	6.0	6.3	5.0	
	22"	810	Front	3.0	3.9	5.0			
			Offset	3.0	3.9	5.0	6.4	6.4	2.5
			Back/Side/None	3.0	3.9	5.0	5.2	5.2	3.7
		810P	Front	3.0	3.9	5.0			
		815	Front	4.5	4.5	3.1			
			Offset	4.5	4.5	3.1			
			Side/None	4.5	4.5	3.1			
816		Front	4.0	6.3	5.0	7.2	7.2	4.1	
		Offset	4.0	6.3	5.0	6.3	6.3	4.9	
		Side/None	4.0	6.3	5.0	5.4	6.3	5.0	
820		Front	4.0	6.5	5.0	7.7	7.7	3.8	
		Offset	4.0	6.5	5.0	6.9	6.9	4.6	
	Side/None	4.0	6.5	5.0	5.8	5.8	5.0		
830	Front	4.8	4.8	3.4					
831	Front	4.2	4.2	4.4	5.6	5.6	2.9		
8252	Side/None	2.0	3.1	5.0	2.0	3.1	5.0		
8254	Front/None	2.0	4.3	5.0	6.0	6.0	3.3		

* Faucet deck depths of less than 5" may require offset or wall mounted faucets. Depth is to wall, a backsplash will reduce area for faucets.

DUPONT™ CORIAN® SINK AND LAVATORY POSITIONING FOR ADA COMPLIANCE

"D" Countertop Height	"A" Counter Width	Bowl Style	Overflow Location	Range of Bowl Positioning Options (no skirt)			Range of Bowl Positioning Options (skirt)		
				Inches from front of counter to inside edge of bowl		"C" Faucet Deck Depth*	Inches from front of counter to inside edge of bowl		"C" Faucet Deck Depth*
				"B" Minimum	"B" Maximum		"B" Minimum	"B" Maximum	
				Forward Bowl Position	Rear Bowl Position		Forward Bowl Position	Rear Bowl Position	
33"	21"	810	Front	3.0	3.0	4.9			
			Offset	3.0	3.0	4.9			
			Back/Side/None	3.0	3.0	4.9	5.2	5.2	2.7
		810P	Front	3.0	3.0	4.9			
		815	Front	4.5	4.5	2.1			
			Offset	4.5	4.5	2.1			
			Side/None	4.5	4.5	2.1			
		816	Front	4.0	5.3	5.0	7.2	7.2	3.1
			Offset	4.0	5.3	5.0	6.3	6.3	3.9
			Side/None	4.0	5.3	5.0	5.4	5.4	4.9
		820	Front	4.0	5.5	5.0	7.7	7.7	2.8
			Offset	4.0	5.5	5.0	6.9	6.9	3.6
			Side/None	4.0	5.5	5.0	5.8	5.8	4.7
		830	Front	4.8	4.8	2.4			
	831	Front	4.2	4.2	3.4				
	8252	Side/None	2.0	2.1	5.0	2.0	2.1	5.0	
	8254	Front/None	2.0	3.3	5.0	6.0	3.3	2.3	
	20"	810	Front	3.0	3.0	3.9			
			Offset	3.0	3.0	3.9			
			Back/Side/None	3.0	3.0	3.9			
810P		Front	3.0	3.0	3.9				
816		Front	4.0	4.3	5.0	7.2	7.2	2.1	
		Offset	4.0	4.3	5.0	6.3	6.3	2.9	
		Side/None	4.0	4.3	5.0	5.4	5.4	3.9	
820		Front	4.0	4.5	5.0				
		Offset	4.0	4.5	5.0	6.9	6.9	2.6	
		Side/None	4.0	4.5	5.0	5.8	5.8	3.7	
831		Front	4.2	4.2	2.4				
8252		Side/None	2.0	2.0	4.1	2.0	2.0	4.1	
8254		Front/None	2.0	2.3	5.0				

* Faucet deck depths of less than 5" may require offset or wall mounted faucets. Depth is to wall, a backsplash will reduce area for faucets.

DUPONT™ CORIAN® SINK AND LAVATORY POSITIONING FOR ADA COMPLIANCE

“D” Countertop Height	“A” Counter Width	Bowl Style	Overflow Location	Range of Bowl Positioning Options (no skirt)			Range of Bowl Positioning Options (skirt)			
				Inches from front of counter to inside edge of bowl		“C” Faucet Deck Depth*	Inches from front of counter to inside edge of bowl		“C” Faucet Deck Depth*	
				“B” Minimum	“B” Maximum		“B” Minimum	“B” Maximum		
				Forward Bowl Position	Rear Bowl Position		Forward Bowl Position	Rear Bowl Position		
33"	19"	810	Front	3.0	3.0	2.9				
			Offset	3.0	3.0	2.9				
			Back/Side/None	3.0	3.0	2.9				
		810P	Front	3.0	3.0	2.9				
			816	Front	4.0	4.0	4.3			
				Offset	4.0	4.0	4.3			
		Side/None		4.0	4.0	4.3	5.4	5.4	2.9	
		820	Front	4.0	4.0	4.5				
			Offset	4.0	4.0	4.5				
	Side/None		4.0	4.0	4.5	5.8	5.8	2.7		
	8252	Side/None	2.0	2.0	3.1	2.0	2.0	3.1		
	8254	Front/None	2.0	2.0	4.3					
	18"	816	Front	4.0	4.0	3.3				
			Offset	4.0	4.0	3.3				
			Side/None	4.0	4.0	3.3				
		820	Front	4.0	4.0	3.5				
			Offset	4.0	4.0	3.5				
			Side/None	4.0	4.0	3.5				
8252		Side/None	2.0	2.0	2.1	2.0	2.0	2.1		
8254		Front/None	2.0	2.0	3.3					

* Faucet deck depths of less than 5" may require offset or wall mounted faucets. Depth is to wall, a backsplash will reduce area for faucets.

DUPONT™ CORIAN® SINK AND LAVATORY POSITIONING FOR ADA COMPLIANCE

"D" Countertop Height	"A" Counter Width	Bowl Style	Overflow Location	Range of Bowl Positioning Options (no skirt)			Range of Bowl Positioning Options (skirt)		
				Inches from front of counter to inside edge of bowl		"C" Faucet Deck Depth*	Inches from front of counter to inside edge of bowl		"C" Faucet Deck Depth*
				"B" Minimum	"B" Maximum		"B" Minimum	"B" Maximum	
				Forward Bowl Position	Rear Bowl Position		Forward Bowl Position	Rear Bowl Position	
32"	24"	810	Front	5.9	5.9	5.0	8.4	8.4	2.5
			Offset	5.9	5.9	5.0	7.8	7.8	3.2
			Side/None	5.9	5.9	5.0	7.0	7.0	3.9
		810P	Front	7.3	7.3	3.6	8.2	8.2	2.7
		815	Front	6.0	6.0	3.6			
			Offset	6.0	6.0	3.6			
			Side/None	6.0	6.0	3.6	7.0	7.0	2.5
		816	Front	5.8	8.3	5.0	8.1	8.3	5.0
			Offset	5.8	8.3	5.0	7.5	8.3	5.0
			Side/None	5.8	8.3	5.0	6.8	8.3	5.0
		820	Front	6.3	8.5	5.0	8.6	8.6	4.9
			Offset	6.3	8.5	5.0	8.0	8.5	5.0
			Side/None	6.3	8.5	5.0	7.3	8.5	5.0
		830	Front	6.8	6.8	3.4			
		831	Front	6.0	6.0	4.6	7.0	7.0	3.6
	8252	Front	2.0	5.1	5.0	2.5	5.1	5.0	
		Side	2.0	5.1	5.0	2.5	5.1	5.0	
	8254	Front	4.1	6.3	5.0	8.1	8.1	3.2	
		Side	4.1	6.3	5.0	8.1	8.1	3.2	
	22"	810	Front	5.9	5.9	3.0			
			Offset	5.9	5.9	3.0			
Side/None			5.9	5.9	3.0				
816		Front	5.8	6.3	5.0	8.1	8.1	3.1	
		Offset	5.8	6.3	5.0	7.5	7.5	3.8	
		Side/None	5.8	6.3	5.0	6.8	6.8	4.5	
820		Front	6.3	6.5	5.0	8.6	8.6	2.9	
		Offset	6.3	6.5	5.0	8.0	8.0	3.5	
		Side/None	6.3	6.5	5.0	7.3	7.3	4.2	
831		Front	6.0	6.0	2.6				
8252		Front	2.0	3.1	5.0	2.5	3.1	5.0	
		Side	2.0	3.1	5.0	2.5	3.1	5.0	
8254	Front	4.1	4.3	5.0					
	Side	4.1	4.3	5.0					

* Faucet deck depths of less than 5" may require offset or wall mounted faucets. Depth is to wall, a backsplash will reduce area for faucets.

DUPONT™ CORIAN® SINK AND LAVATORY POSITIONING FOR ADA COMPLIANCE

"D" Countertop Height	"A" Counter Width	Bowl Style	Overflow Location	Range of Bowl Positioning Options (no skirt)			Range of Bowl Positioning Options (skirt)			
				Inches from front of counter to inside edge of bowl		"C" Faucet Deck Depth*	Inches from front of counter to inside edge of bowl		"C" Faucet Deck Depth*	
				"B" Minimum	"B" Maximum		"B" Minimum	"B" Maximum		
				Forward Bowl Position	Rear Bowl Position	Forward Bowl Position	Rear Bowl Position			
32"	21"	810	Front	5.9	5.9	2.0				
			Offset	5.9	5.9	2.0				
			Side/None	5.9	5.9	2.0				
		816	Front	5.8	5.8	4.5	8.1	8.1	2.1	
			Offset	5.8	5.8	4.5	7.5	7.5	2.8	
			Side/None	5.8	5.8	4.5	6.8	6.8	3.5	
		820	Front	6.3	6.3	4.2				
			Offset	6.3	6.3	4.2	8.0	8.0	2.5	
			Side/None	6.3	6.3	4.2	7.3	7.3	3.2	
		8252	Front	2.0	2.1	5.0	2.5	2.5	4.7	
			Side	2.0	2.1	5.0	2.5	2.5	4.7	
		8254	Front	4.1	4.1	4.2				
	Side		4.1	4.1	4.2					
	20"	816	Front	5.8	5.8	3.5				
			Offset	5.8	5.8	3.5				
			Side/None	5.8	5.8	3.5	6.8	6.8	2.5	
		820	Front	6.3	6.3	3.2				
			Offset	6.3	6.3	3.2				
			Side/None	6.3	6.3	3.2	7.3	7.3	2.2	
		8252	Front	2.0	2.0	4.1	2.5	2.5	3.7	
			Side	2.0	2.0	4.1	2.5	2.5	3.7	
		8254	Front	4.1	4.1	3.2				
			Side	4.1	4.1	3.2				
		19"	816	Front	5.8	5.8	2.5			
				Offset	5.8	5.8	2.5			
	Side/None			5.8	5.8	2.5				
	820		Front	6.3	6.3	2.2				
			Offset	6.3	6.3	2.2				
			Side/None	6.3	6.3	2.2				
	8252		Front	2.0	2.0	3.1	2.5	2.5	2.7	
Side			2.0	2.0	3.1	2.5	2.5	2.7		
8254	Front		4.1	4.1	2.2					
	Side		4.1	4.1	2.2					
18"	8252		Front	2.0	2.0	2.1				
			Side	2.0	2.0	2.1				

* Faucet deck depths of less than 5" may require offset or wall mounted faucets. Depth is to wall, a backsplash will reduce area for faucets.

DUPONT™ CORIAN® SINK AND LAVATORY POSITIONING FOR ADA COMPLIANCE

C. DUPONT™ CORIAN® SINK AND LAVATORY DIMENSION* AND COLOR TABLE

Table C-1: Acrylic Solid Surface

DuPont Model		810	815	816
Description		Well shaped smaller bowl that is still deep enough for user convenience. Enjoy the simple, timeless style of this proven performer.	This large-capacity oval bowl brings elegance and performance to any bathroom design.	Aesthetically pleasing bowl with reduced front-to-back dimension.
Interior Bowl Dimensions	Side-to-side	16 1/2" (418 mm)	20 1/2" (520 mm)	17 3/4" (450 mm)
	Front-to-back	13 1/8" (332 mm)	14 1/2" (367 mm)	10 7/8" (277 mm)
	Depth	5 3/8" (138 mm)	6 1/4" (158 mm)	5 1/2" (140 mm)
Exterior Bowl Dimensions	Side-to-side	18 1/2" (469 mm)	22 1/2" (570 mm)	19 5/8" (499 mm)
	Front-to-back	15 1/8" (383 mm)	16 1/2" (418 mm)	12 3/4" (324 mm)
	Depth	6 1/4" (158 mm)	7" (178 mm)	6 1/4" (160 mm)
Overflow Location (Special Order)		Front (Back, None, Offset, Side)	Front (None, Offset, Side)	Front (None, Offset, Side)

Table C-2: Acrylic Solid Surface (Continued)

DuPont Model		820	830	831
Description		Smallest. Retains aesthetically pleasing shape and user friendly depth.	Enjoy beauty and practicality at home or work with this spacious bowl.	This stylish and roomy bowl is a great addition to both residential and commercial settings.
Interior Bowl Dimensions	Side-to-side	14 3/4" (374 mm)	18 7/8" (480 mm)	20" (508 mm)
	Front-to-back	10 1/2" (267 mm)	13 5/8" (345 mm)	13 3/8" (340 mm)
	Depth	5 1/2" (138 mm)	5 7/8" (150 mm)	6" (153 mm)
Exterior Bowl Dimensions	Side-to-side	16 3/4" (424 mm)	20 3/4" (527 mm)	22" (559 mm)
	Front-to-back	12 1/2" (316 mm)	15 5/8" (396 mm)	15 1/4" (388 mm)
	Depth	6 1/4" (159 mm)	6 3/4" (170 mm)	6 3/4" (170 mm)
Overflow Location (Special Order)		Front (None, Offset, Side)	Front	Front

Table C-3: Acrylic Modified Polyester

DuPont Model		810P	5414	5610	8252	8254
Description		Features an integral overflow that is virtually seamless, for a smooth, graceful look.	Great for a variety of healthcare applications including dental practices.	Great kitchen sink for assisted living centers and multi-family applications. Shallow at front edge, slopes toward drain.	Coordinates with Corian® Vanity tops for a seamless, easy-to-clean surface.	Coordinates with Corian® Vanity tops for a seamless, easy-to-clean surface.
Interior Bowl Dimensions	Side-to-side	16 1/2" (418 mm)	14" (356 mm)	27" (686 mm)	15 1/4" (387 mm)	18" (457 mm)
	Front-to-back	13 1/8" (332 mm)	14" (356 mm)	16" (406 mm)	13 7/8" (352 mm)	12 3/4" (323 mm)
	Depth	5 1/2" (138 mm)	5" (127 mm)	5 1/2" (140 mm)	5 1/4" (132 mm)	5" (127 mm)
Exterior Bowl Dimensions	Side-to-side	18 1/4" (462 mm)	15 1/2" (394 mm)	28 1/2" (724 mm)	16 3/4" (425 mm)	19 1/2" (495 mm)
	Front-to-back	14 7/8" (462 mm)	15 1/2" (394 mm)	17 1/2" (445 mm)	15 3/8" (390 mm)	14 1/4" (363 mm)
	Depth	7 1/2" (159 mm)	5 7/8" (149 mm)	6 1/4" (159 mm)	7" (178 mm)	6 3/4" (173 mm)
Overflow Location (Special Order)		Front	None	None	Front (None)	Front (None)

*Measurements are rounded to 1/8" and 1 mm. For detailed measurements CAD files are available.

D. DUPONT™ CORIAN® 810

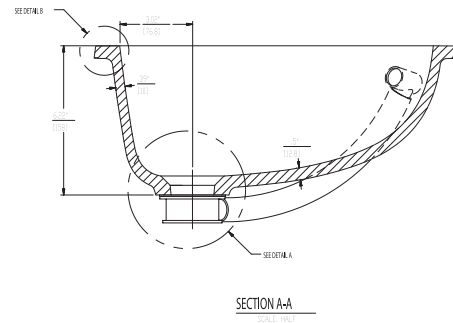
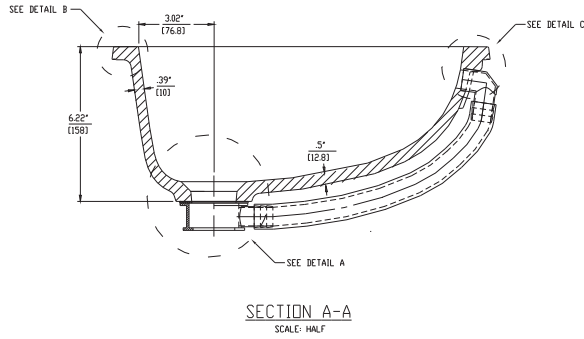
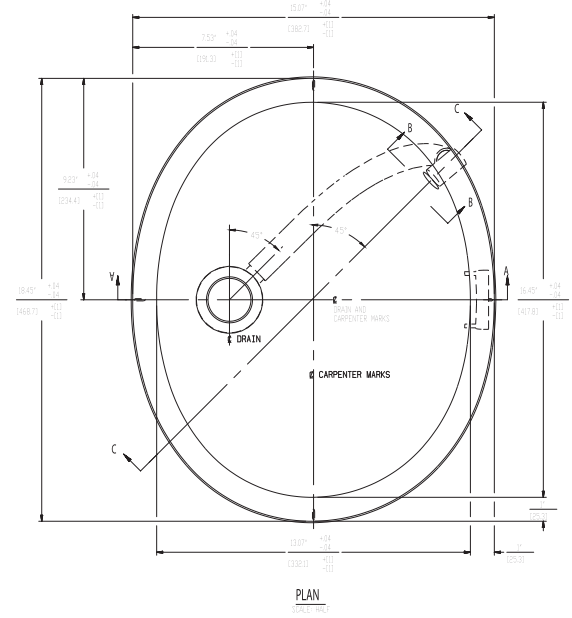
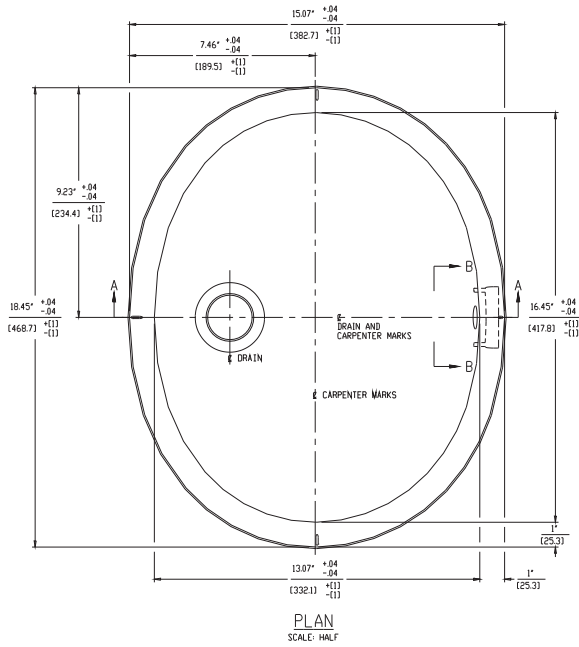


Figure D-1: DuPont™ Corian® 810 with Front Overflow

Figure D-2: DuPont™ Corian® 810 with Offset Overflow

DUPONT™ CORIAN® SINK AND LAVATORY POSITIONING FOR ADA COMPLIANCE

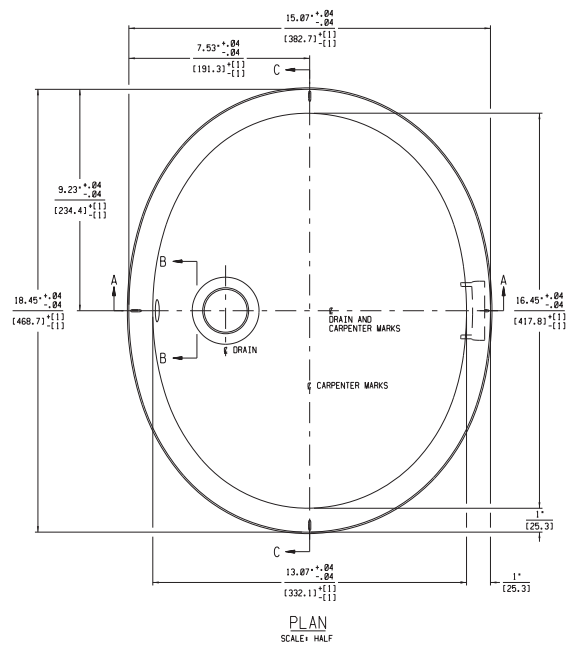
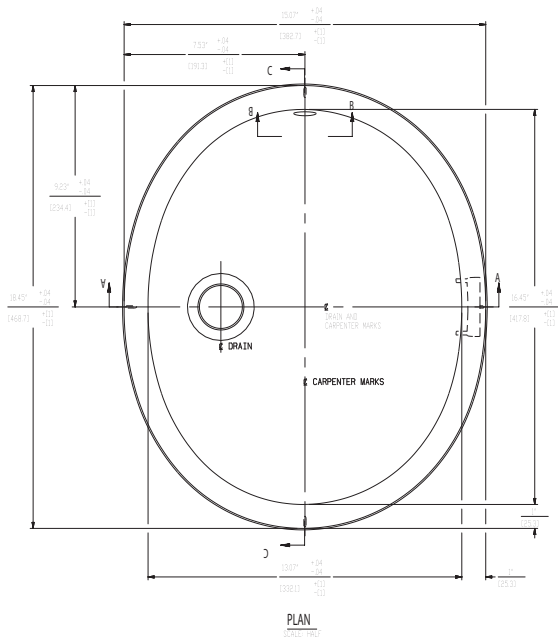


Figure D-3: DuPont™ Corian® 810 with Side Overflow

Figure D-4: DuPont™ Corian® 810 with Rear Overflow

DUPONT™ CORIAN® SINK AND LAVATORY POSITIONING FOR ADA COMPLIANCE

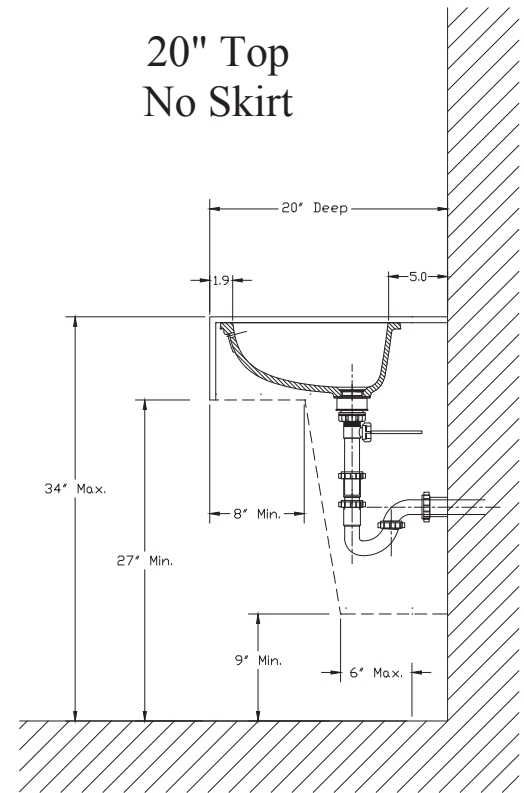
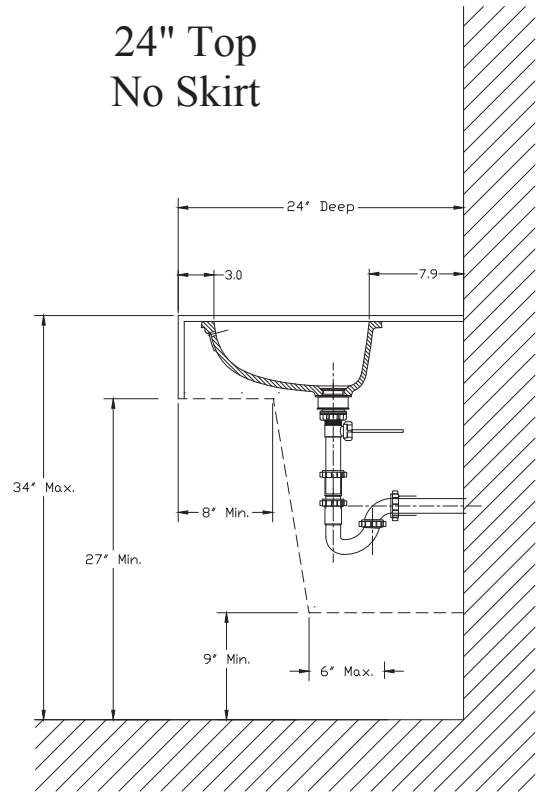
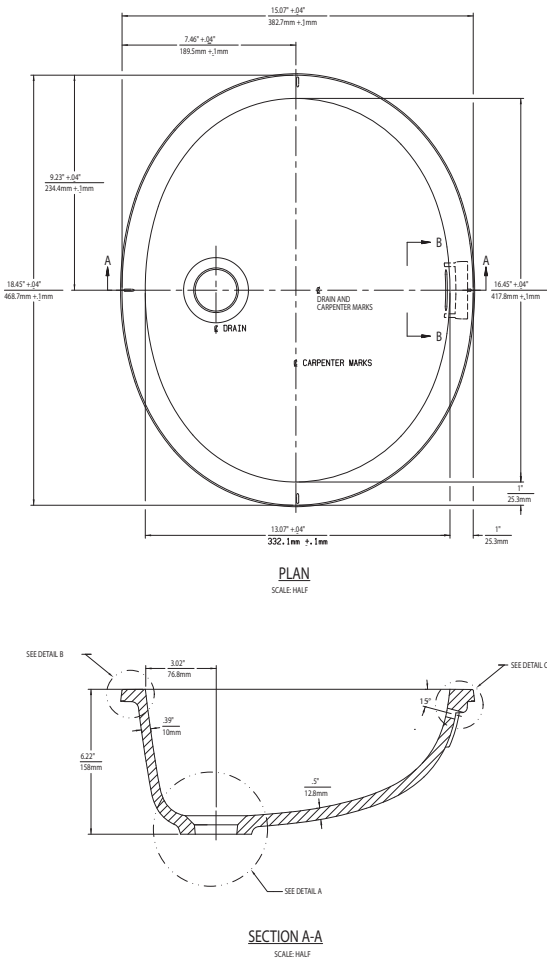


Figure D-5: DuPont™ Corian® 810 with No Overflow

Figure D-6: DuPont™ Corian® 810 installation without Skirt

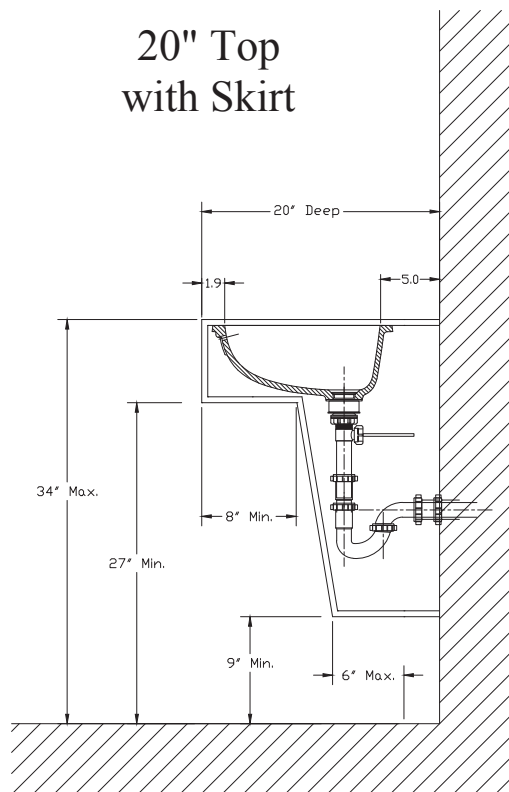
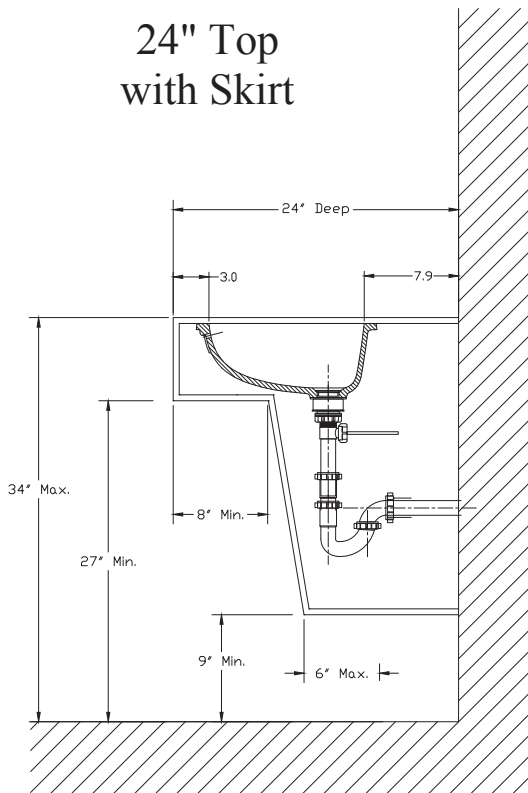


Figure D-7: DuPont™ Corian® 810 installation with Skirt

E. DUPONT™ CORIAN® 810P

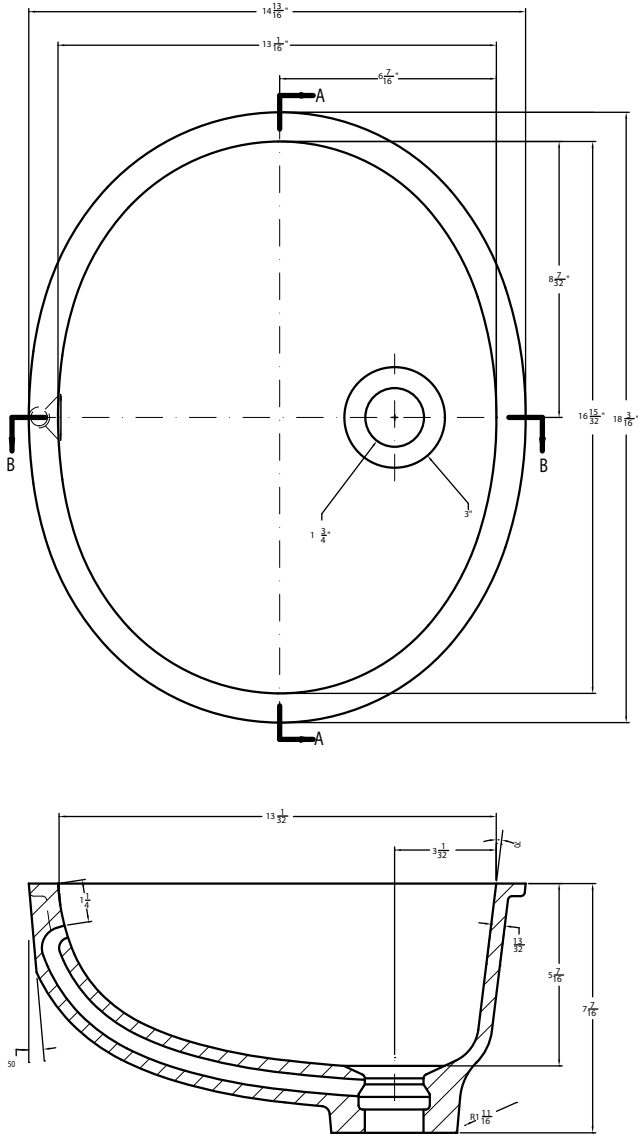


Figure E-1: DuPont™ Corian® 810P with Front or No Overflow

DUPONT™ CORIAN® SINK AND LAVATORY POSITIONING FOR ADA COMPLIANCE

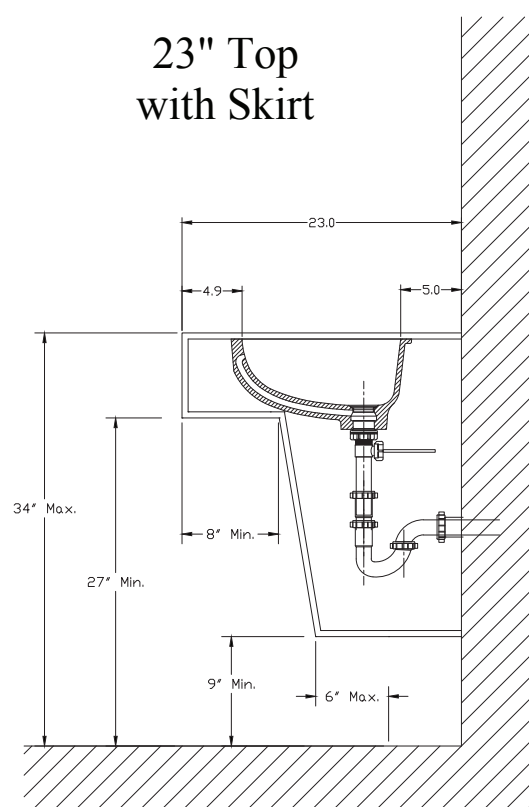
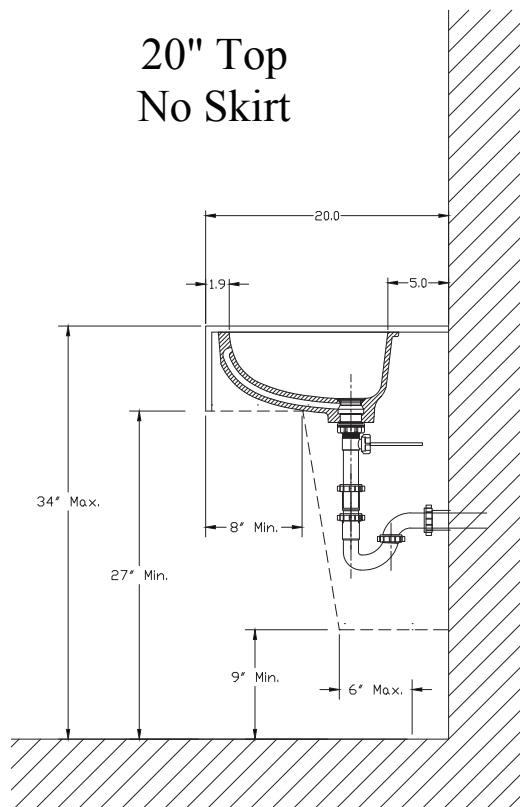
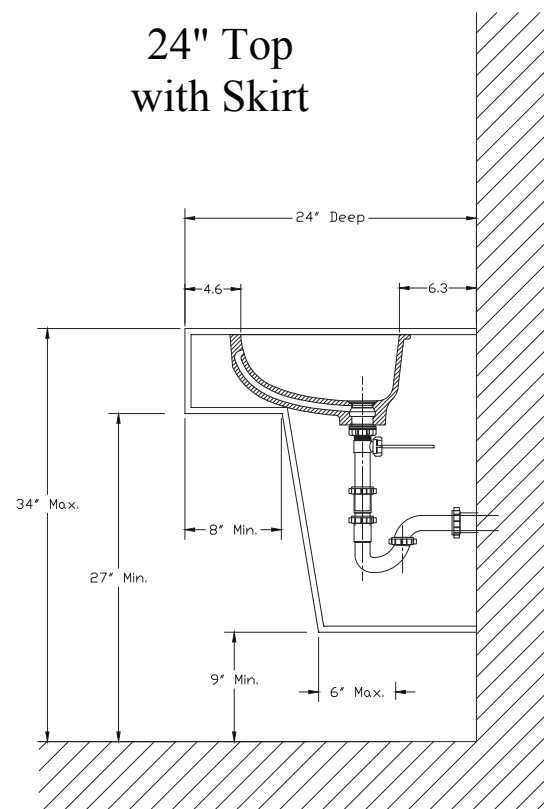
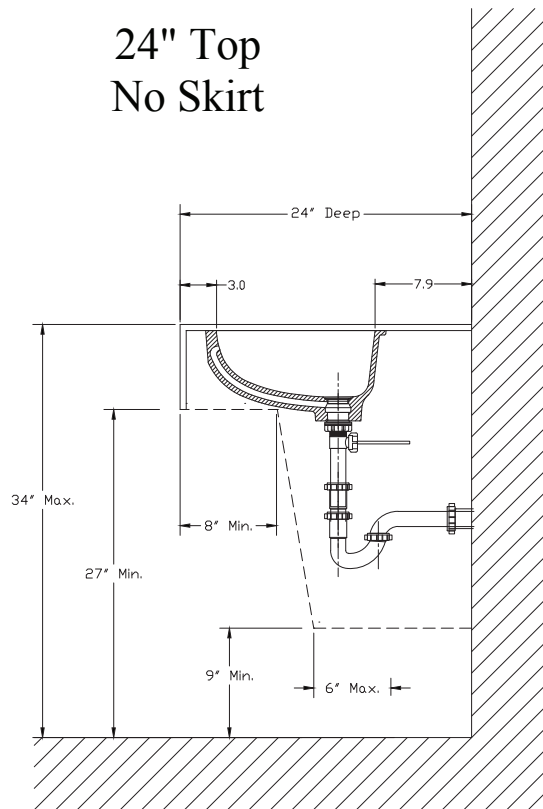


Figure E-2: DuPont™ Corian® 810P installation without Skirt

Figure E-3: DuPont™ Corian® 810P installation with Skirt

F. DUPONT™ CORIAN® 815

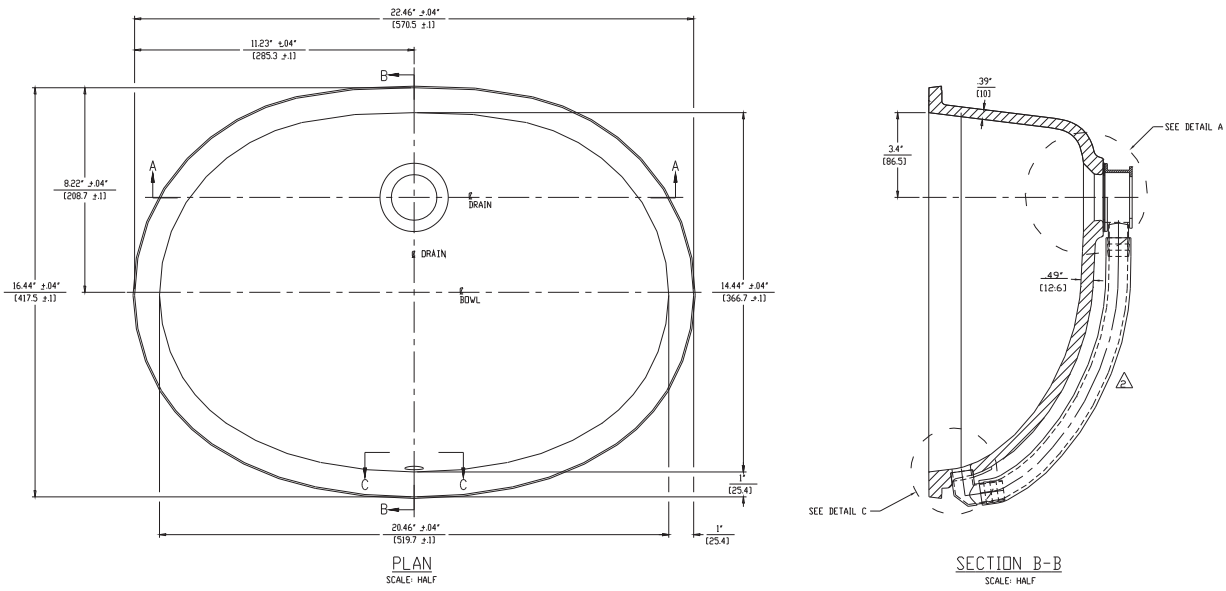


Figure F-1: DuPont™ Corian® 815 with Front Overflow

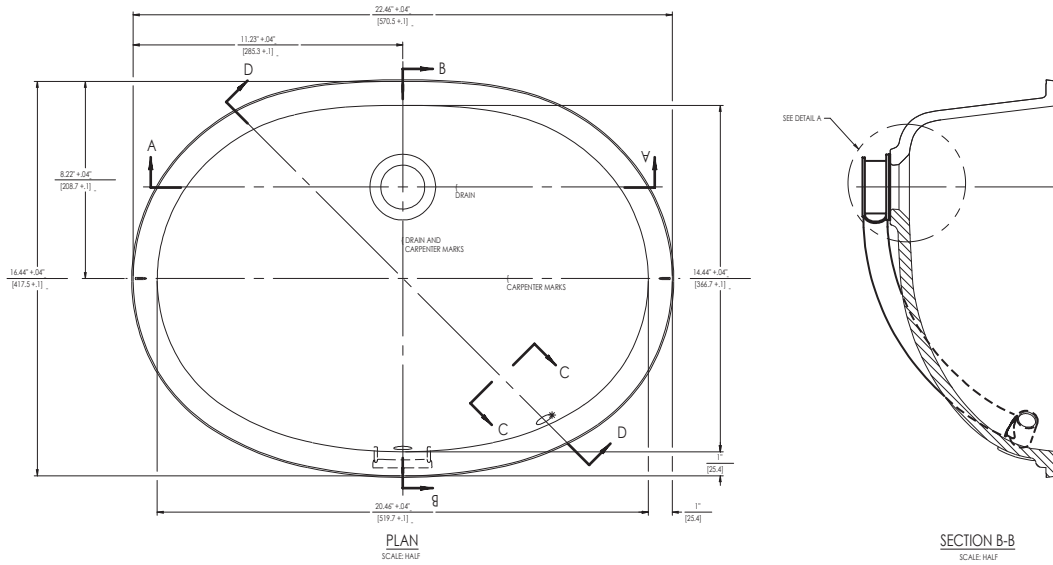


Figure F-2: DuPont™ Corian® 815 with Offset Overflow

DUPONT™ CORIAN® SINK AND LAVATORY POSITIONING FOR ADA COMPLIANCE

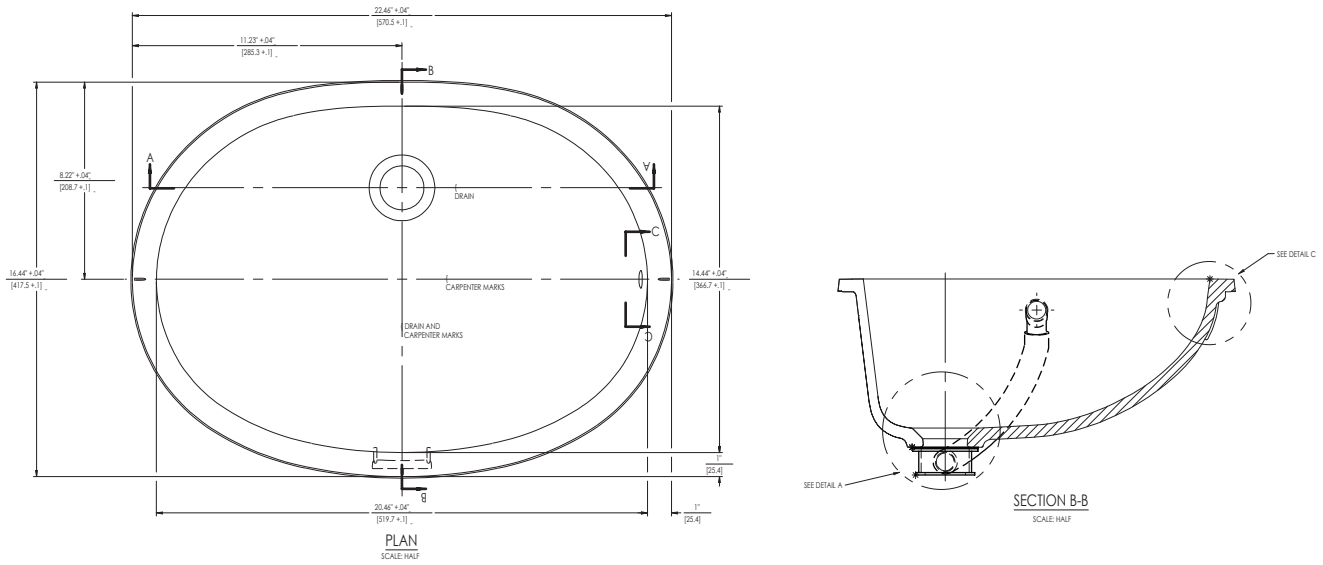


Figure F-3: DuPont™ Corian® 815 with Side Overflow

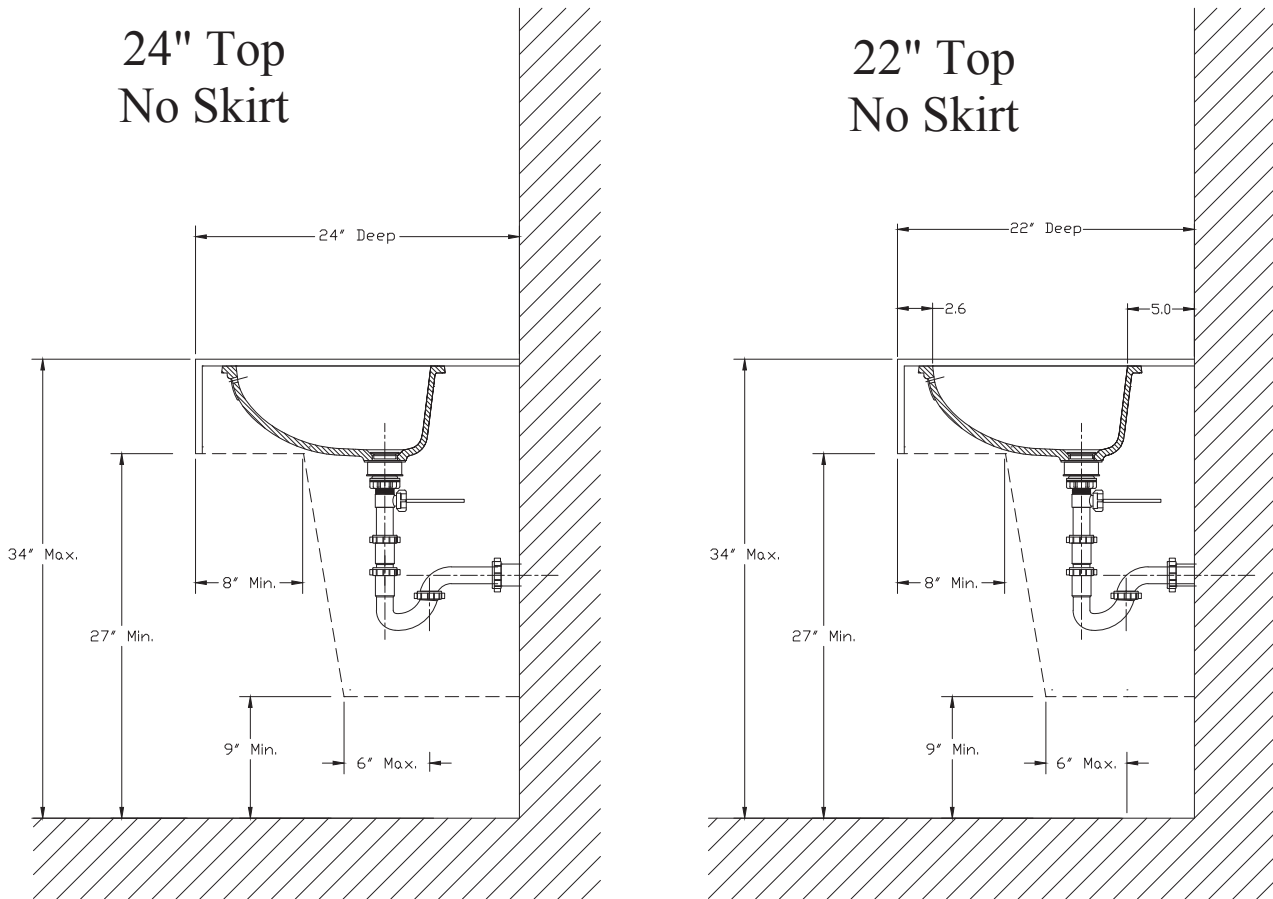


Figure F-4: DuPont™ Corian® 815 installation without Skirt

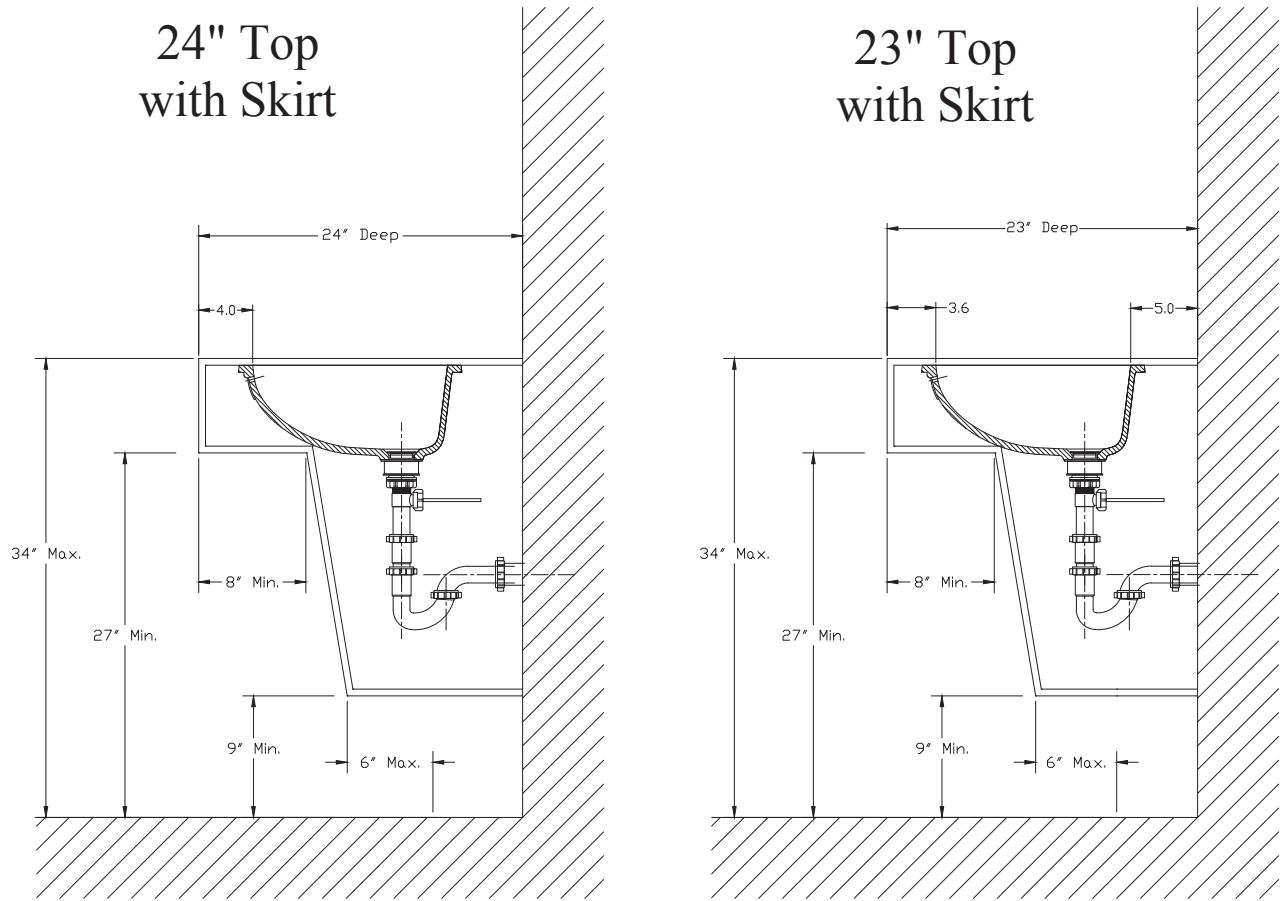


Figure F-5: DuPont™ Corian® 815 installation with Skirt

G. DUPONT™ CORIAN® 816

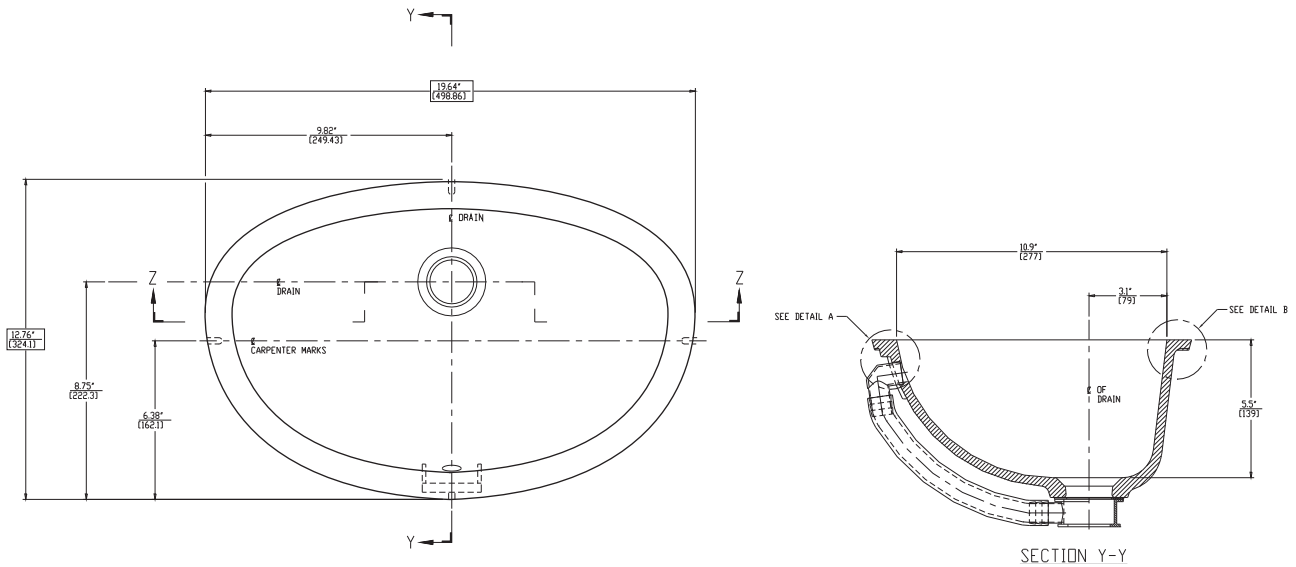


Figure G-1: DuPont™ Corian® 816 with Front Overflow

DUPONT™ CORIAN® SINK AND LAVATORY POSITIONING FOR ADA COMPLIANCE

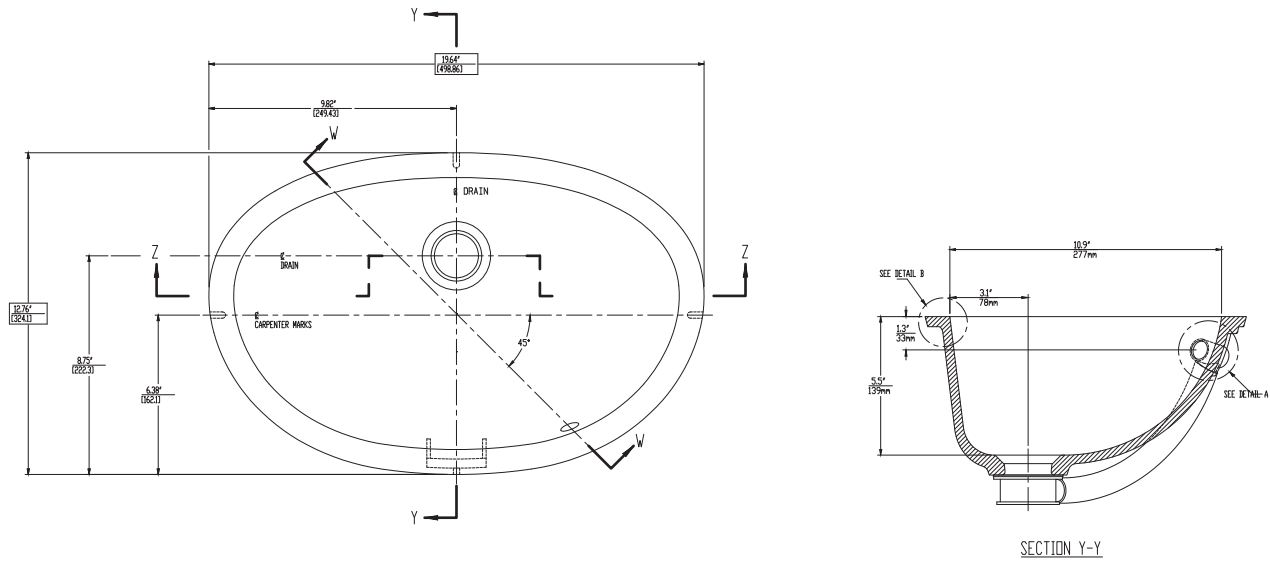


Figure G-2: DuPont™ Corian® 816 with Offset Overflow

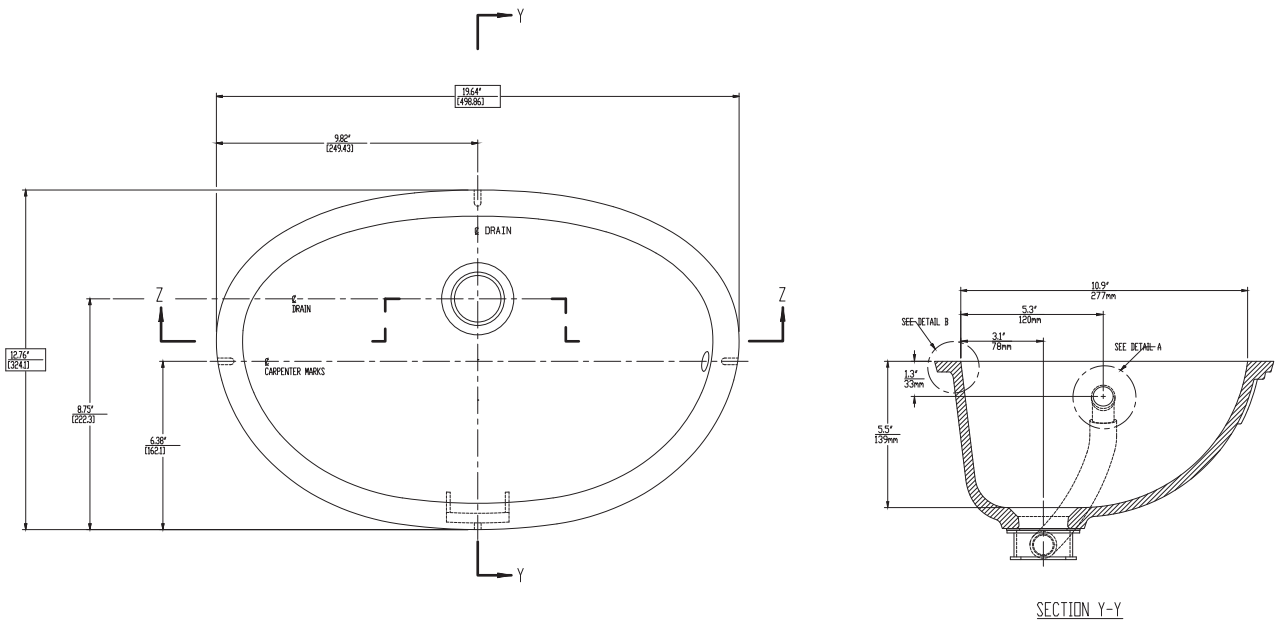


Figure G-3: DuPont™ Corian® 816 with Side Overflow

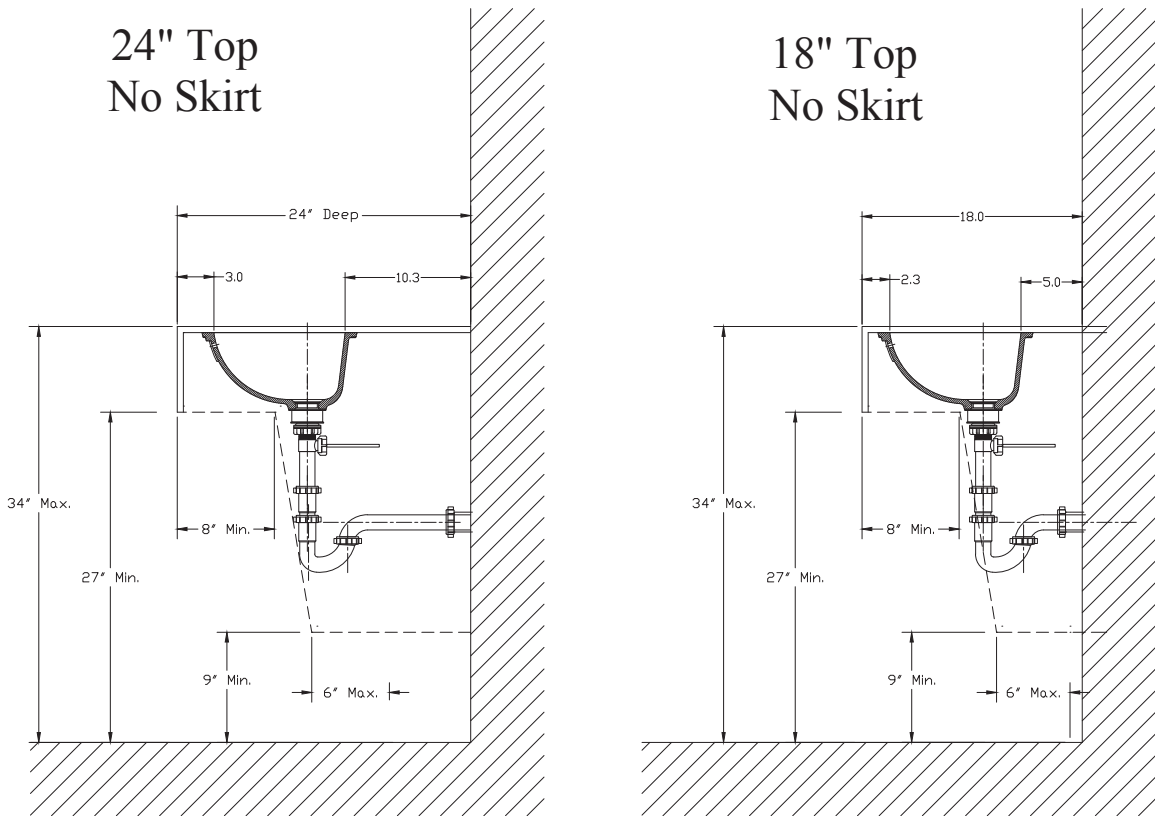


Figure G-4: DuPont™ Corian® 816 installation without Skirt

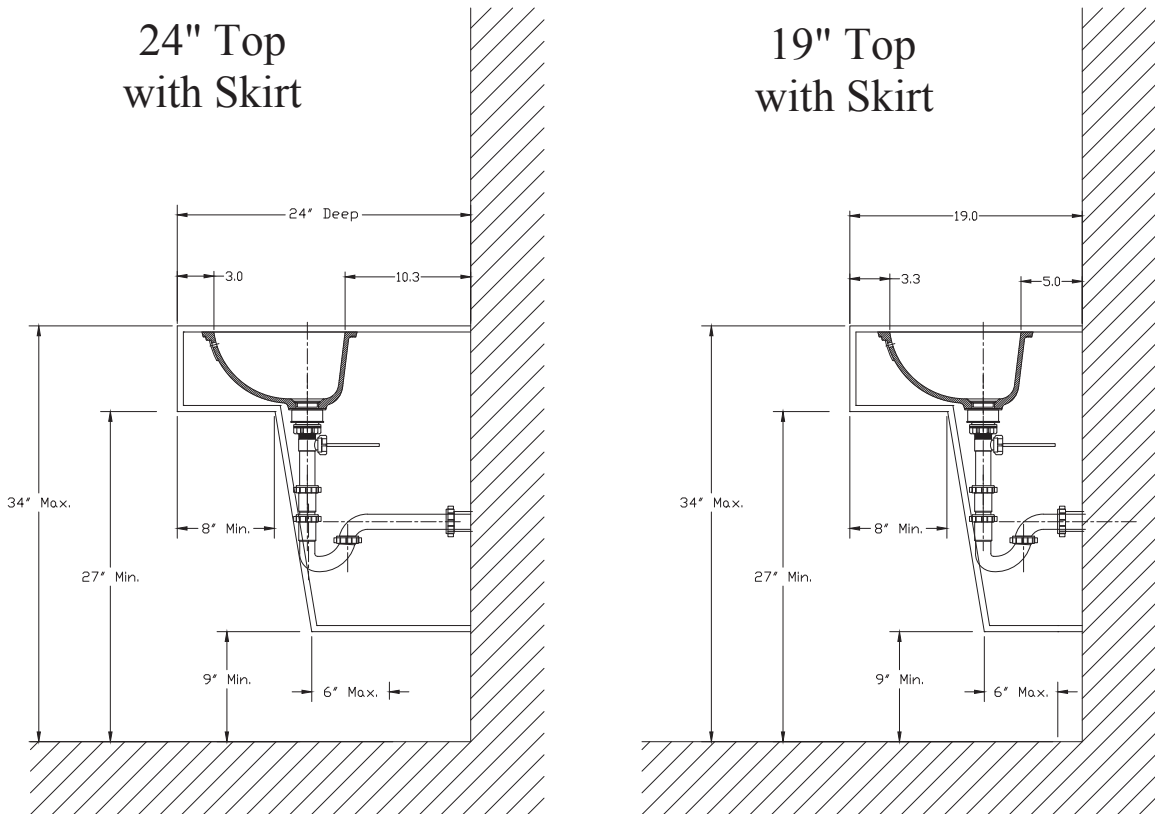


Figure G-5: DuPont™ Corian® 816 installation with Skirt

H. DUPONT™ CORIAN® 820

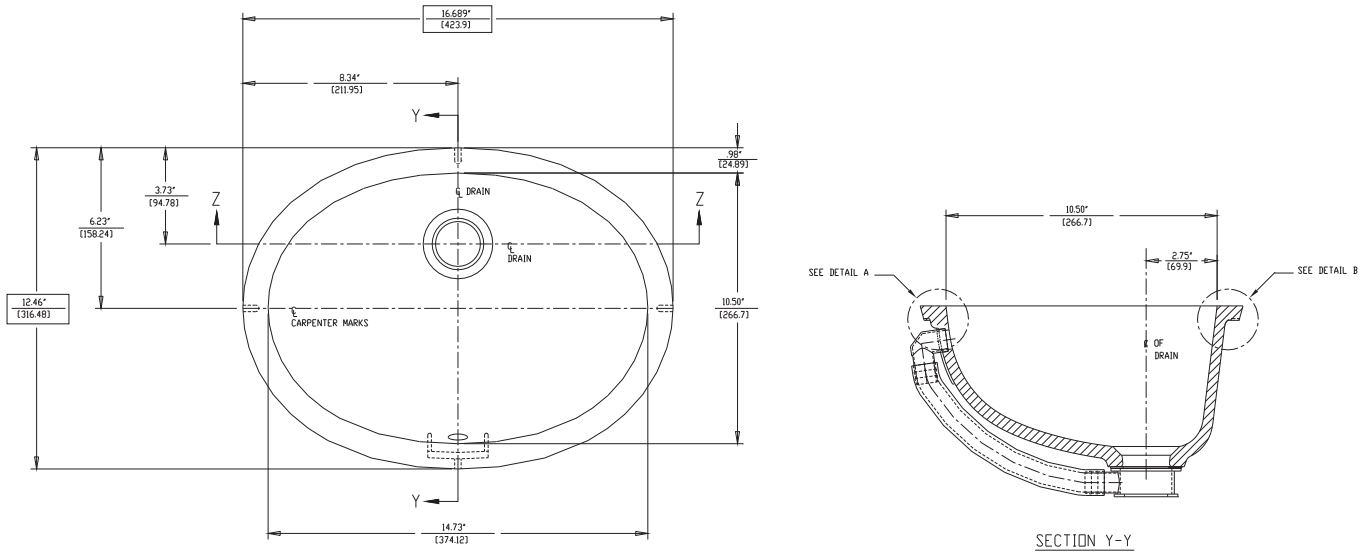


Figure H-1: DuPont™ Corian® 820 Front Overflow

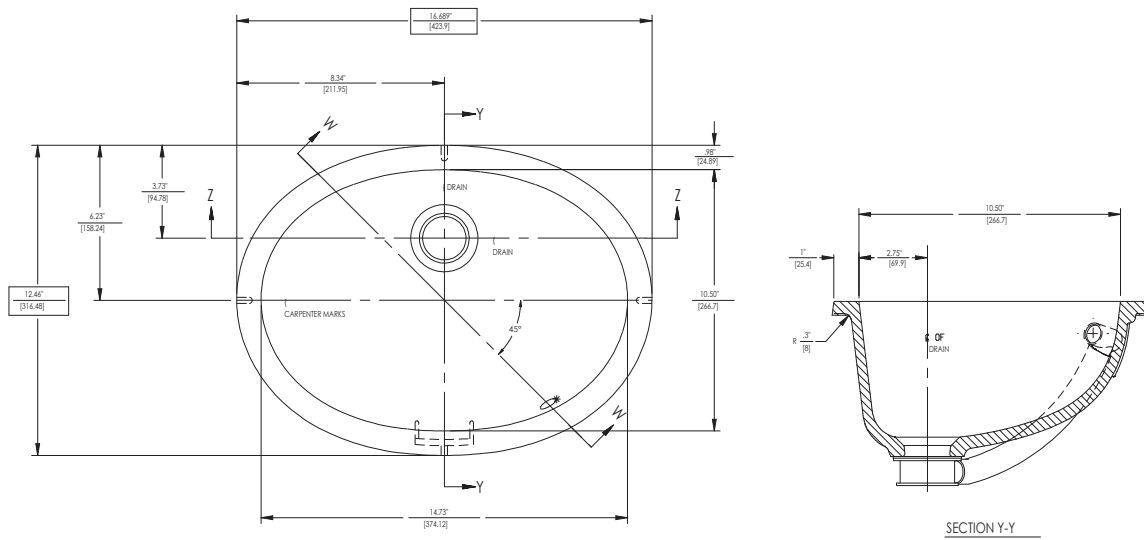


Figure H-2 DuPont™ Corian® 820 Offset Overflow

DUPONT™ CORIAN® SINK AND LAVATORY POSITIONING FOR ADA COMPLIANCE

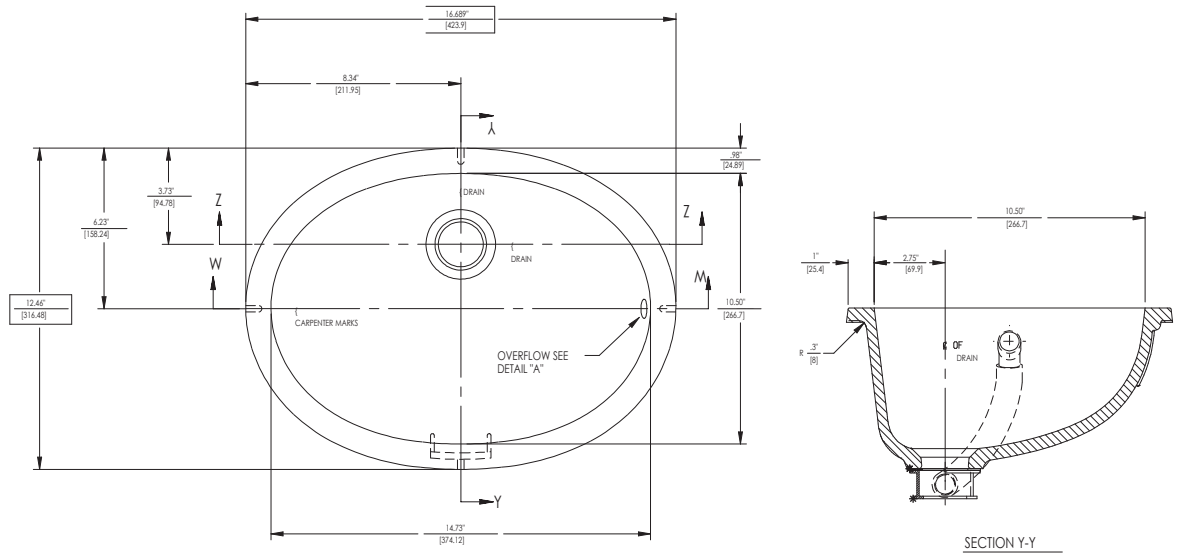


Figure H-3: DuPont™ Corian® 820 Side Overflow

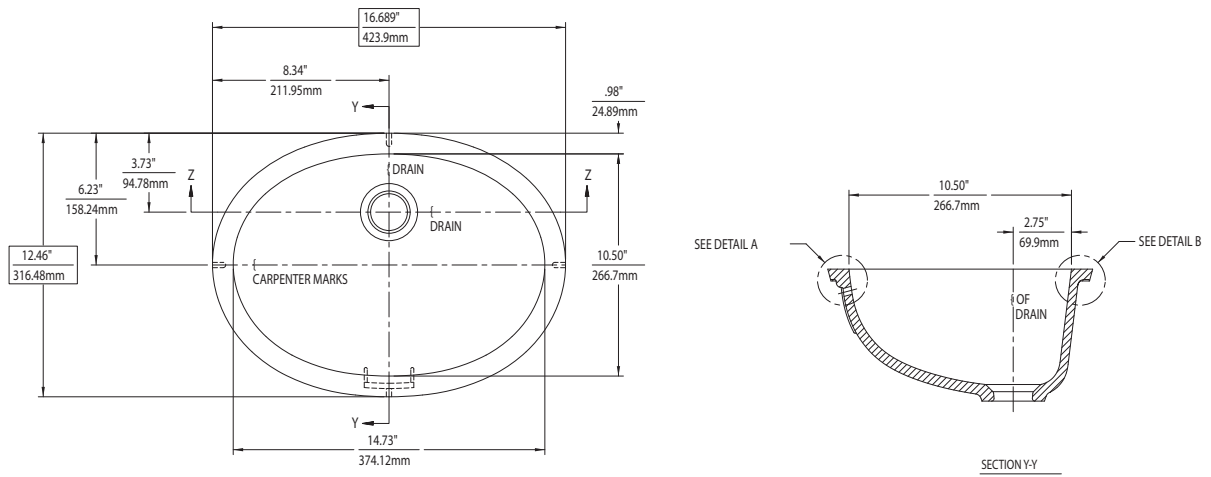


Figure H-4: DuPont™ Corian® 820 No Overflow

DUPONT™ CORIAN® SINK AND LAVATORY POSITIONING FOR ADA COMPLIANCE

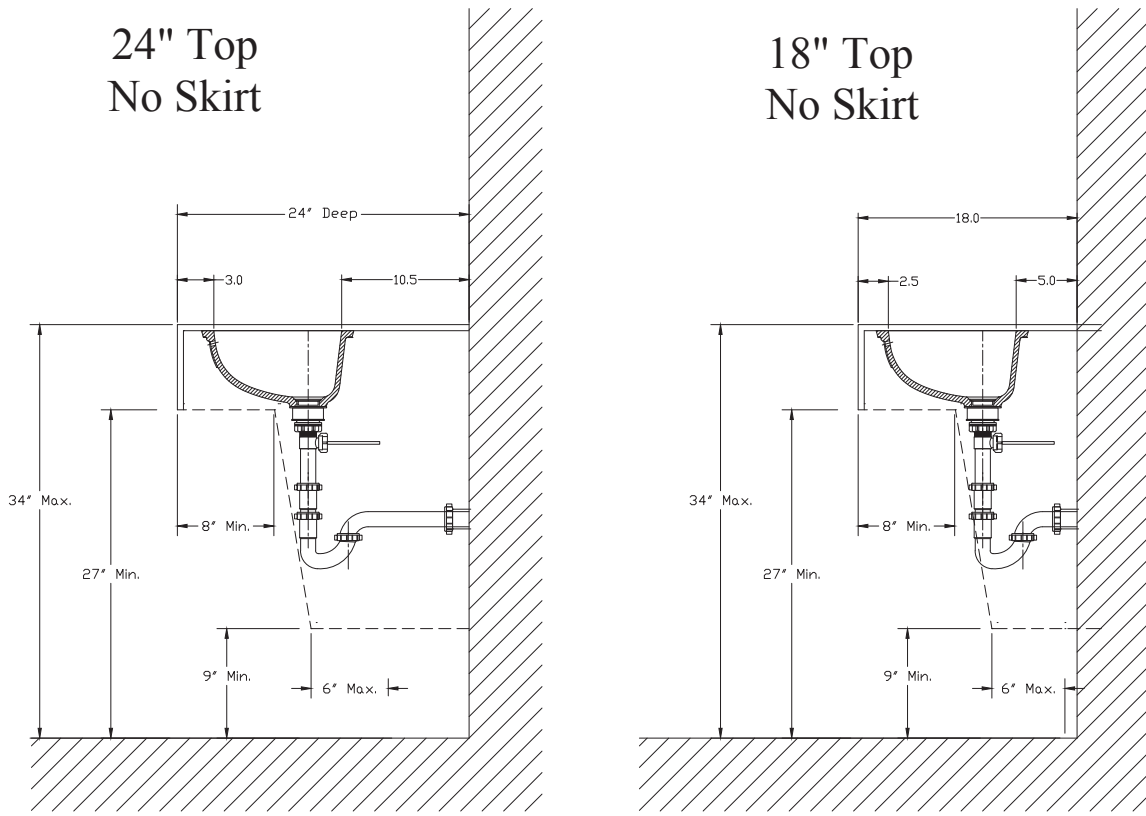


Figure H-5: DuPont™ Corian® 820 installation without Skirt

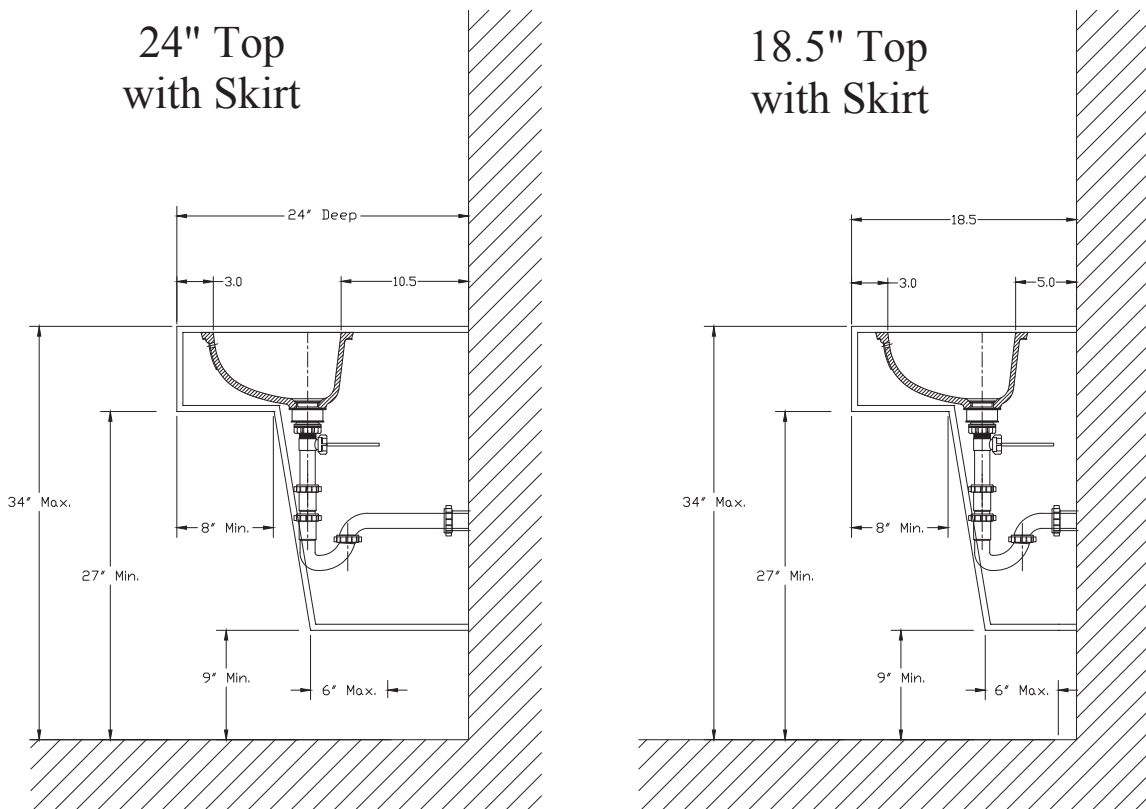


Figure H-6: DuPont™ Corian® 820 installation with Skirt

I. DUPONT™ CORIAN® 830

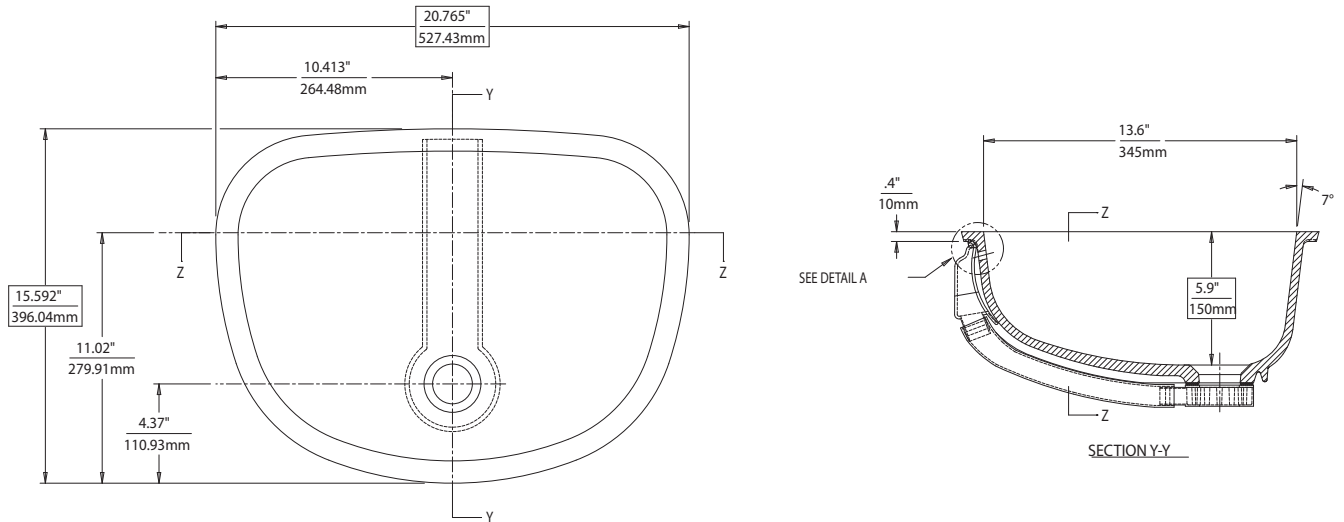


Figure I-1: DuPont™ Corian® 830 with Front Overflow

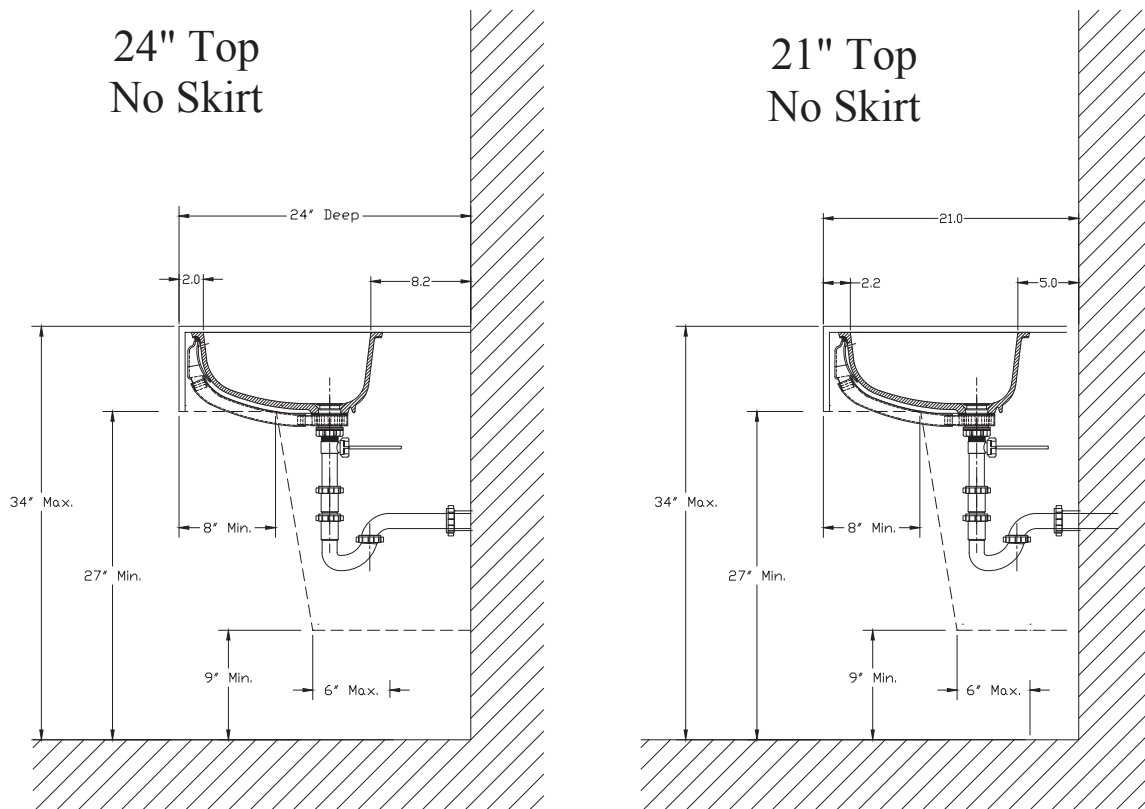


Figure I-2: DuPont™ Corian® 830 installation without Skirt

J. DUPONT™ CORIAN® 831

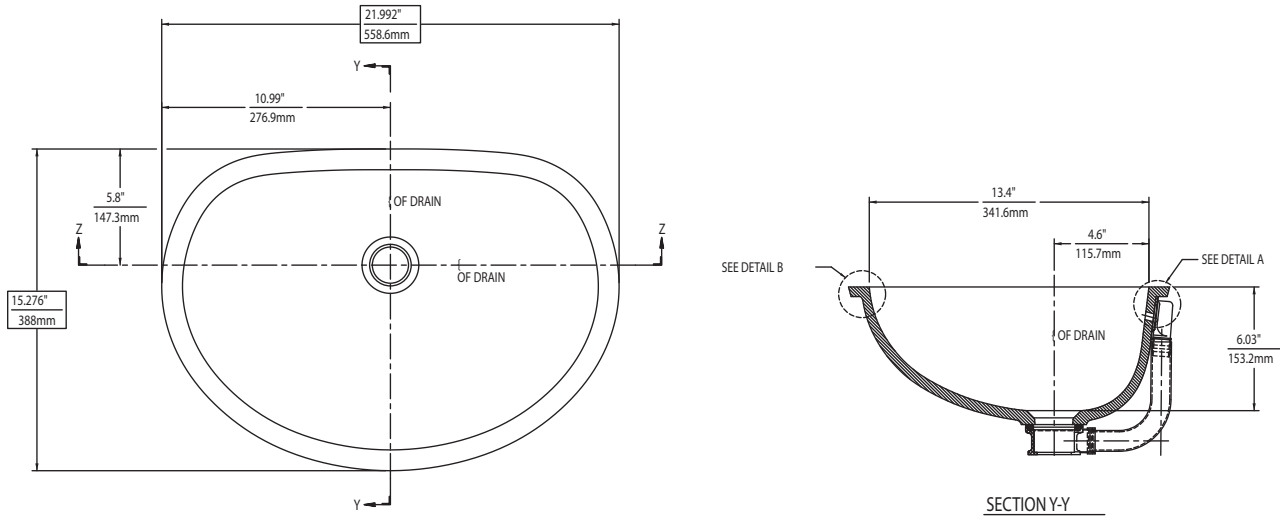


Figure J-1: DuPont™ Corian® 831 with Front Overflow

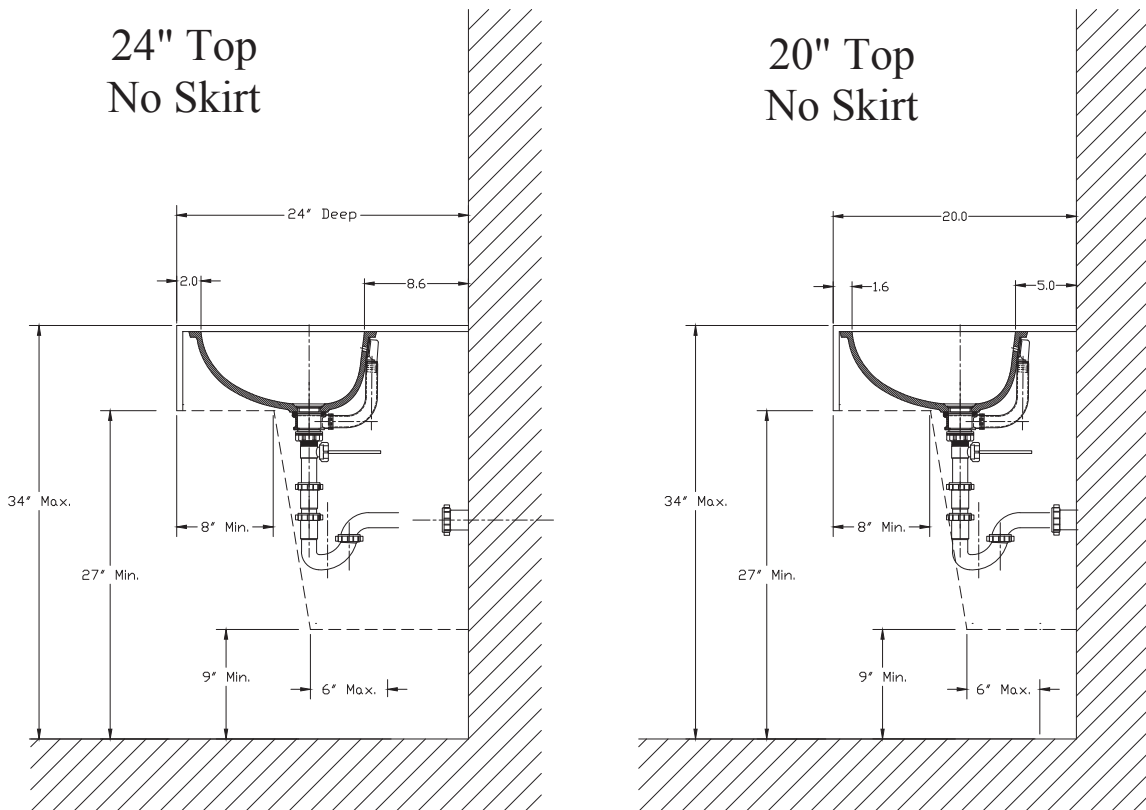


Figure J-2: DuPont™ Corian® 831 installation without Skirt

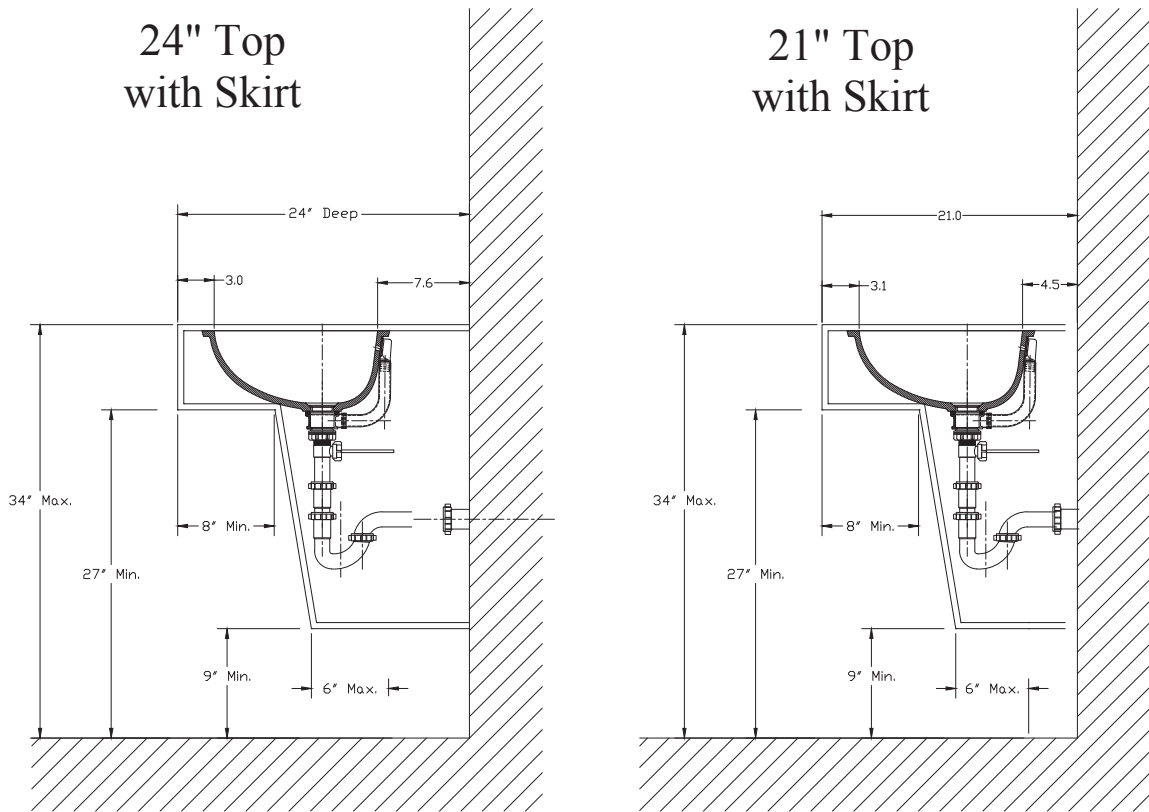


Figure J-3: DuPont™ Corian® 831 installation with Skirt

K. DUPONT™ CORIAN® 5414

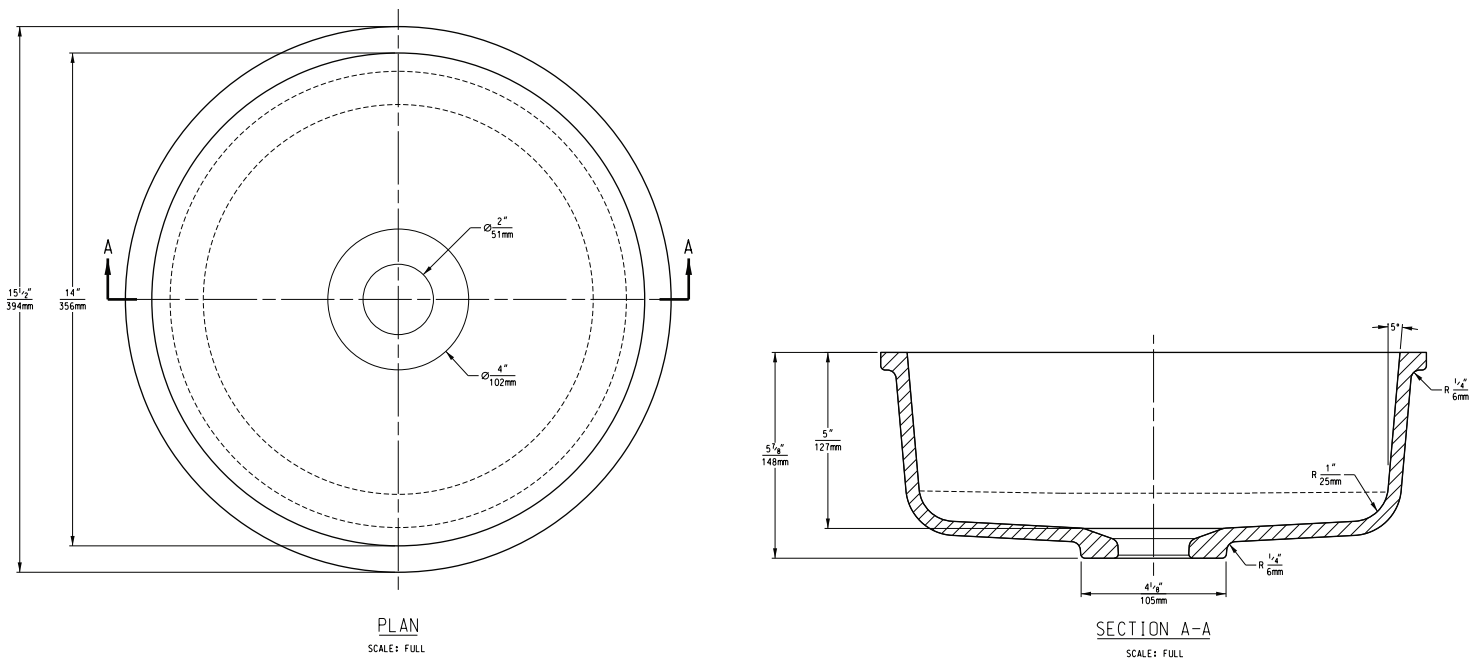


Figure K-1 DuPont™ Corian® 5414

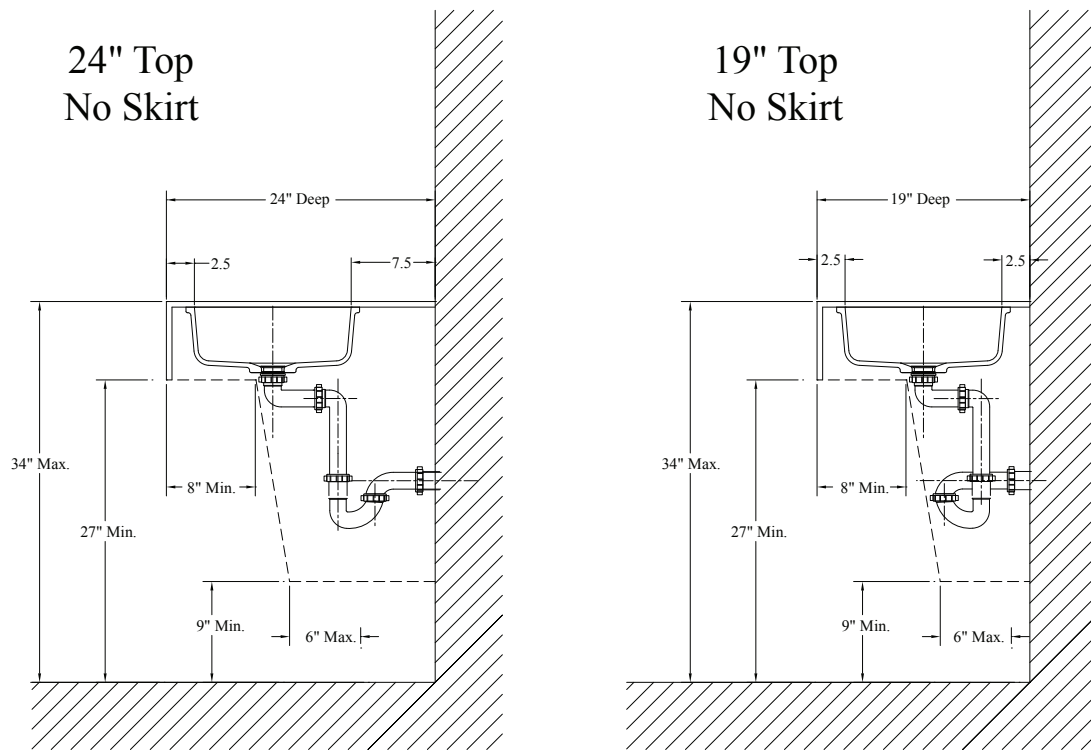


Figure K-2 DuPont™ Corian® 5414 installation without skirt

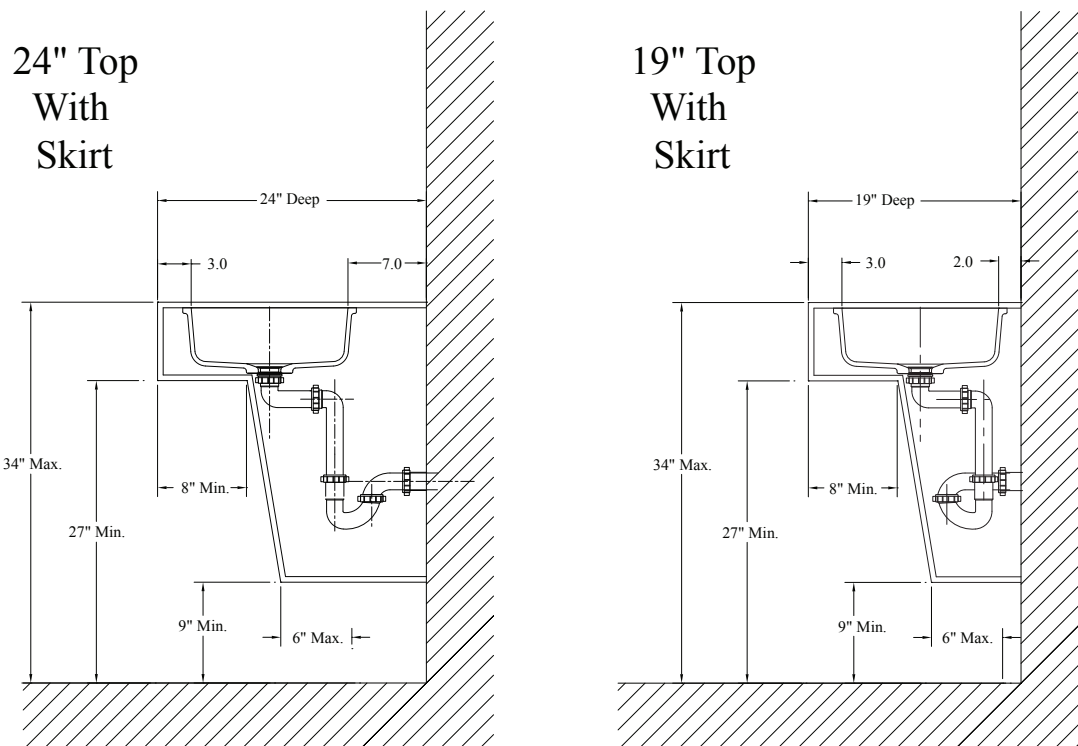


Figure K-3 DuPont™ Corian® 5414 installation with skirt

L. DUPONT™ CORIAN® 5610

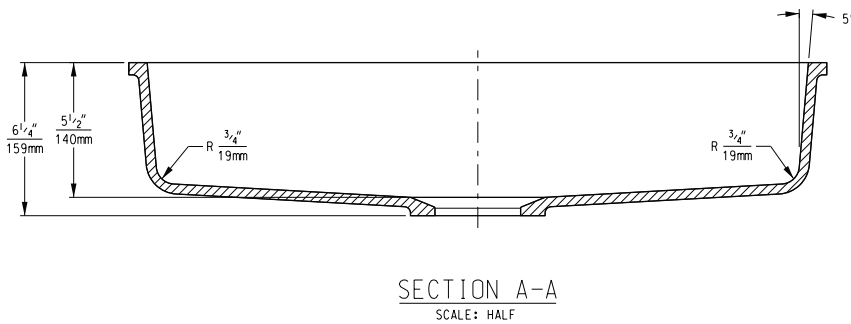
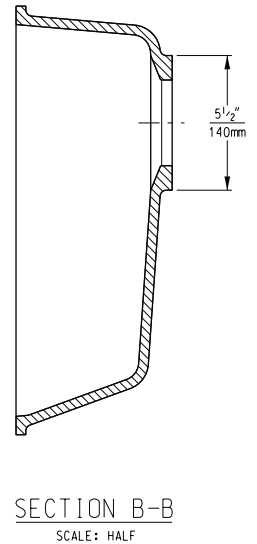
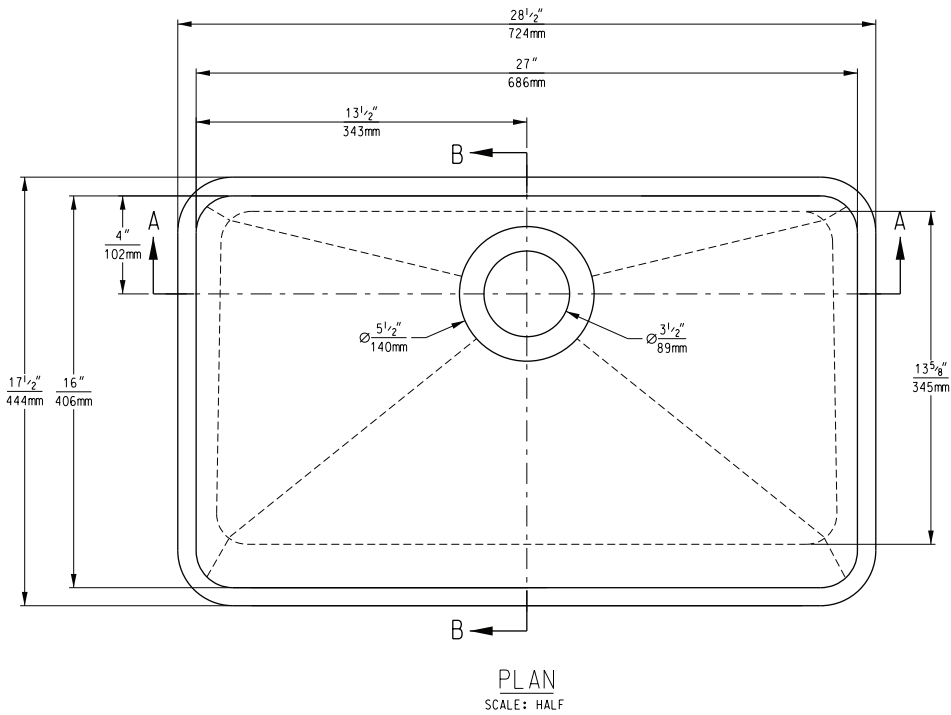


Figure L-1 DuPont™ Corian® 5610

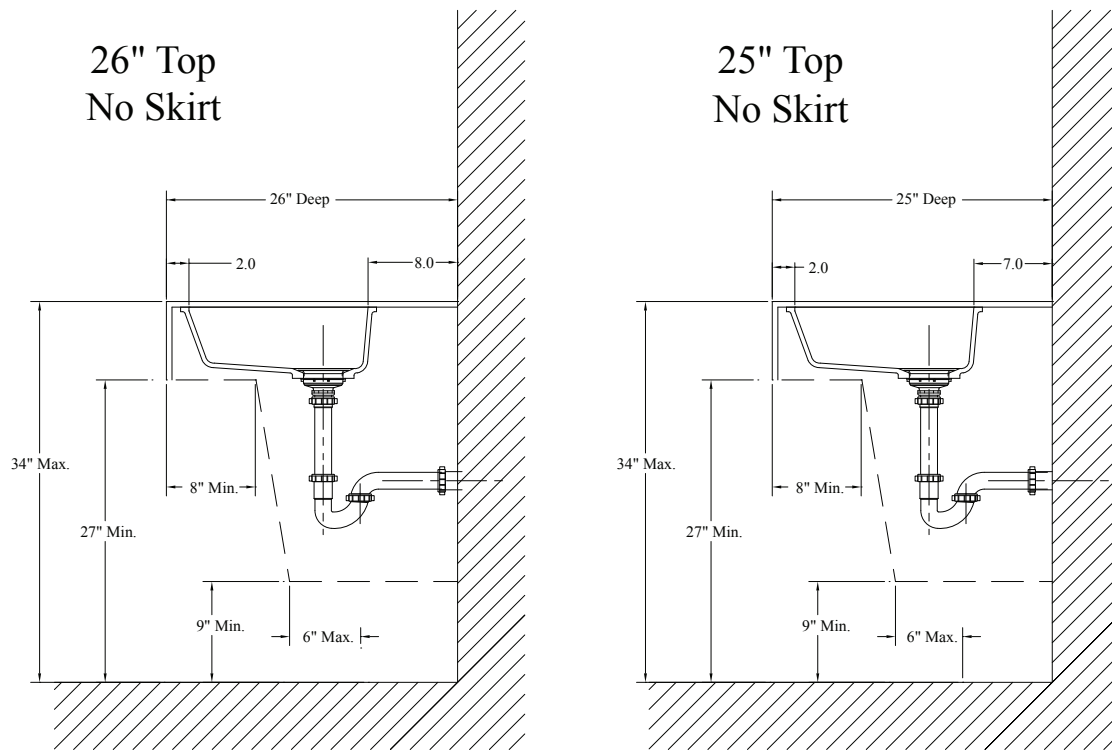


Figure L-2 DuPont™ Corian® 5610 installation without skirt

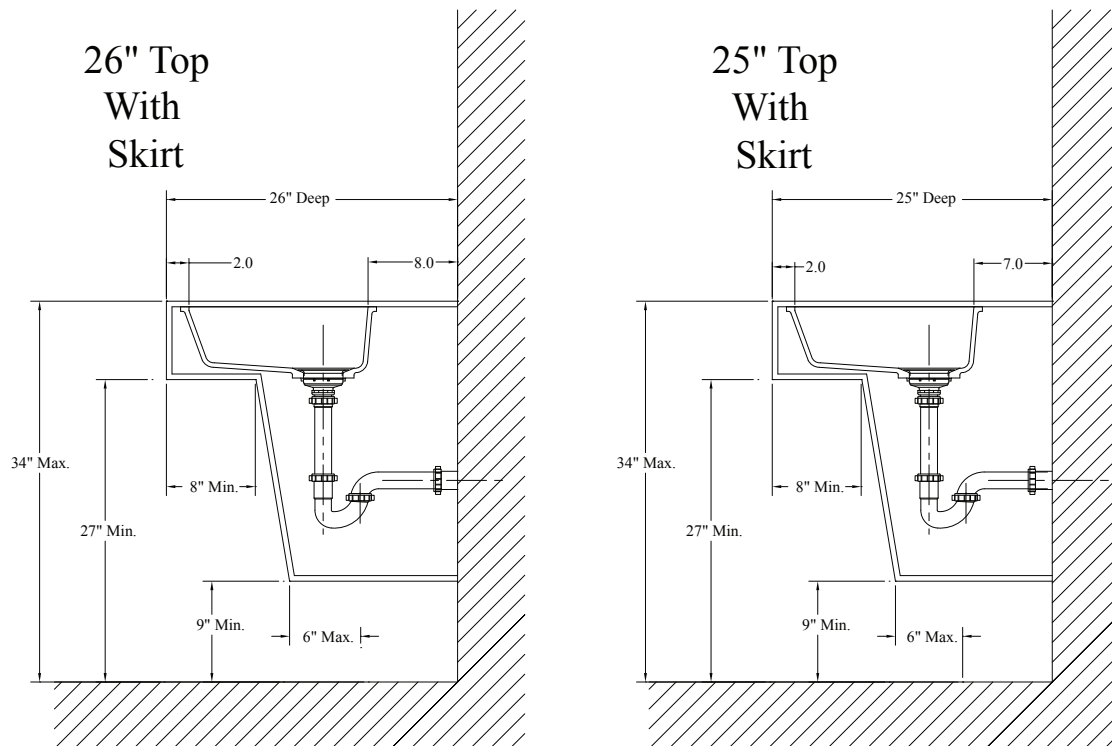


Figure L-3 DuPont™ Corian® 5610 installation with skirt

M. DUPONT™ CORIAN® 8252

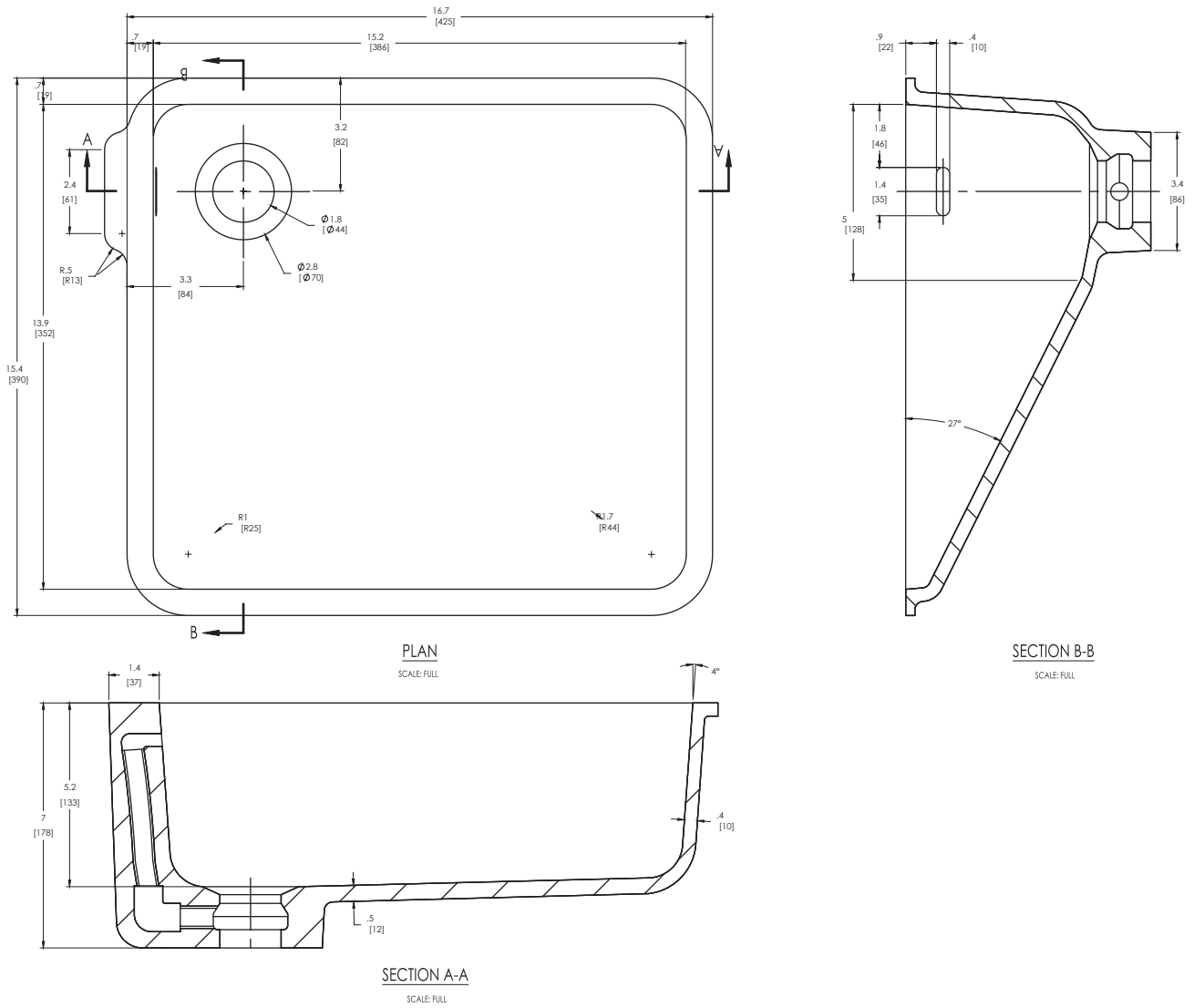


Figure M-1: DuPont™ Corian® 8252 with Overflow

DUPONT™ CORIAN® SINK AND LAVATORY POSITIONING FOR ADA COMPLIANCE

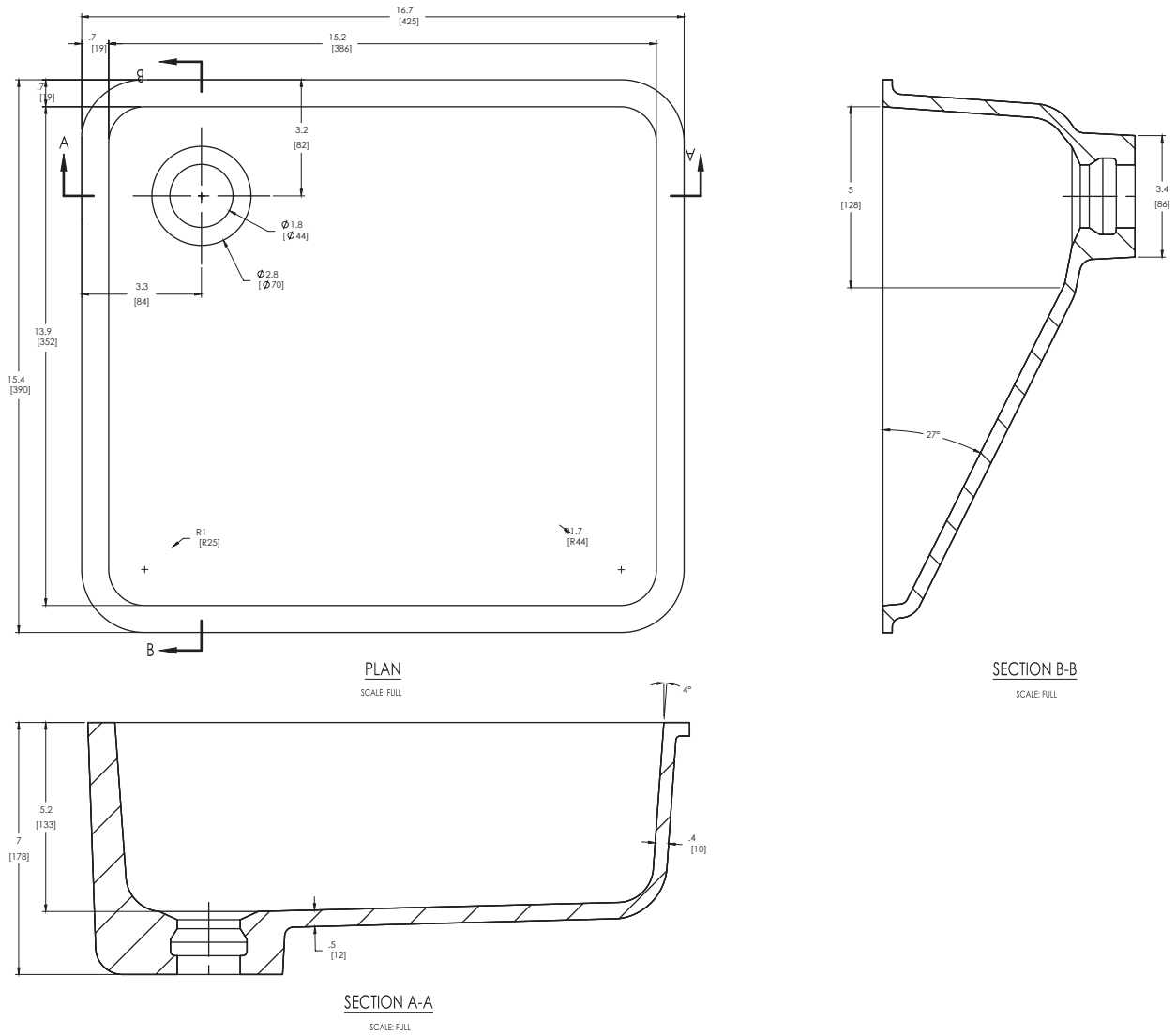


Figure M-2: DuPont™ Corian® 8252 with No Overflow

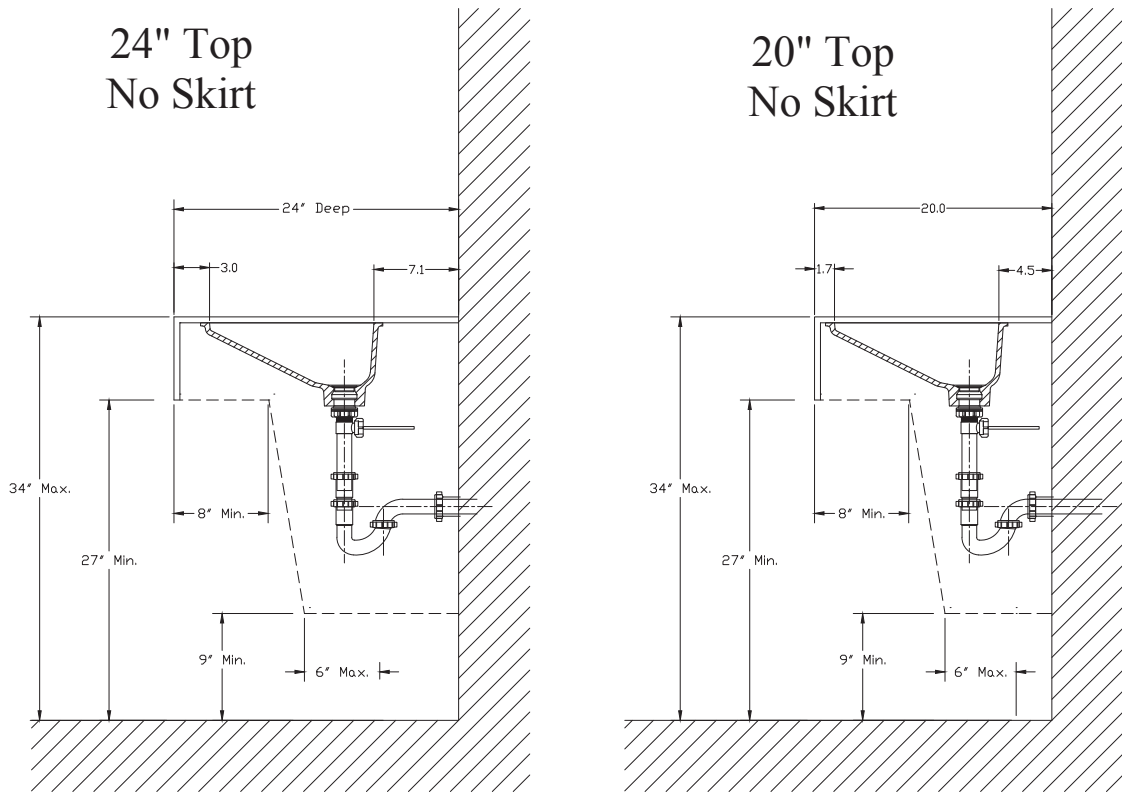


Figure M-3: DuPont™ Corian® 8252 installation without Skirt

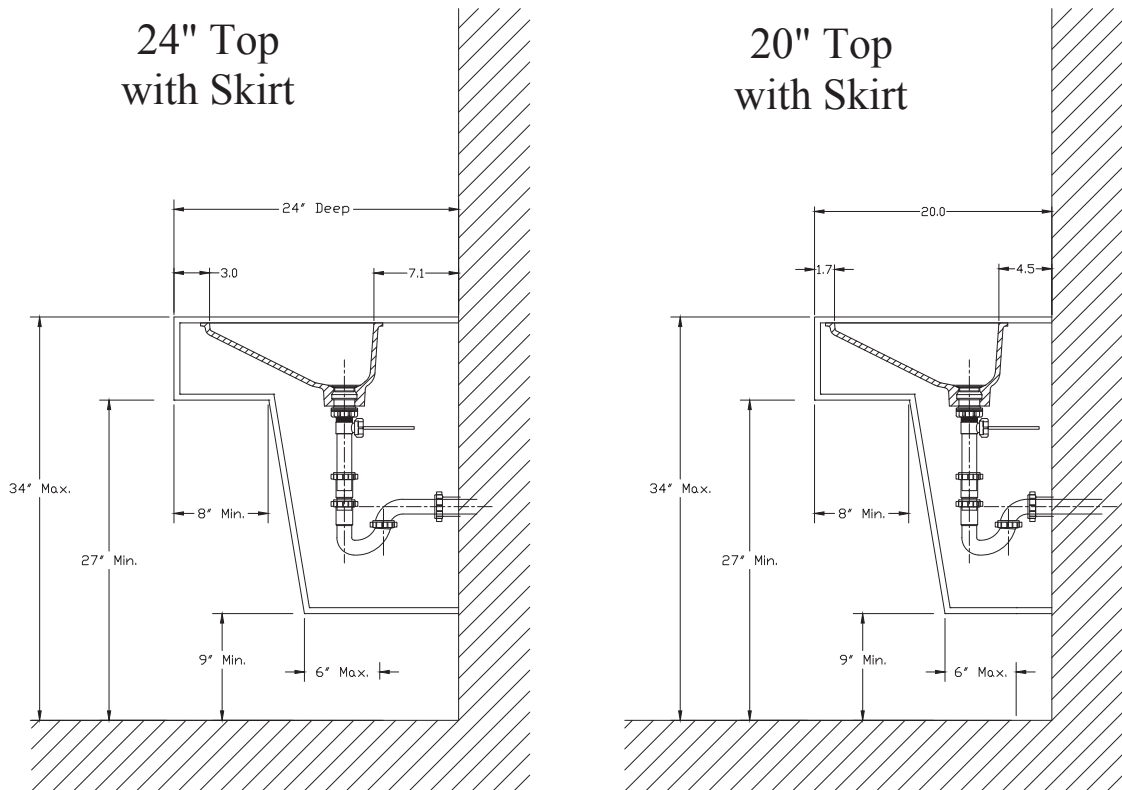
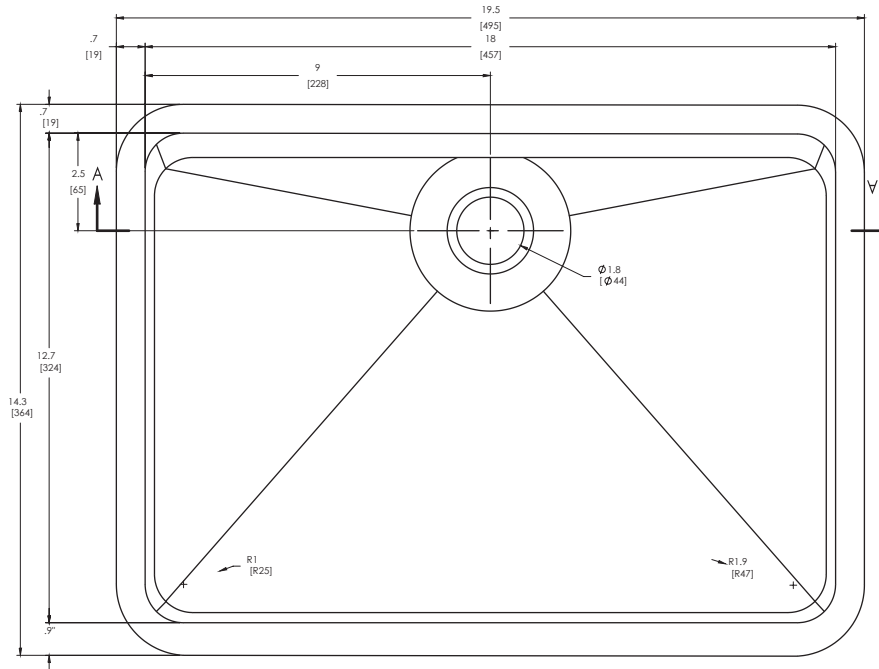
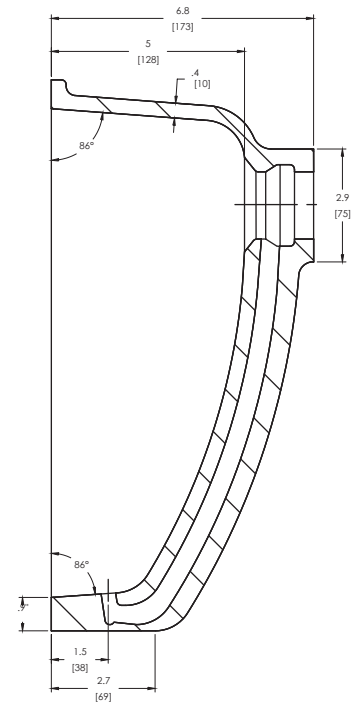


Figure M-4: DuPont™ Corian® 8252 installation with Skirt

N. DUPONT™ CORIAN® 8254

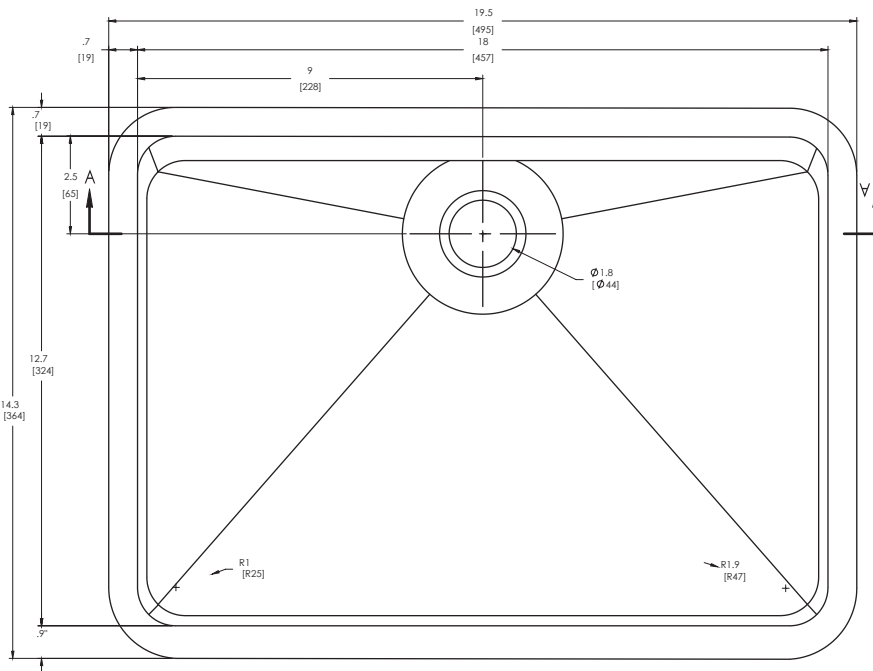


PLAN
SCALE: FULL

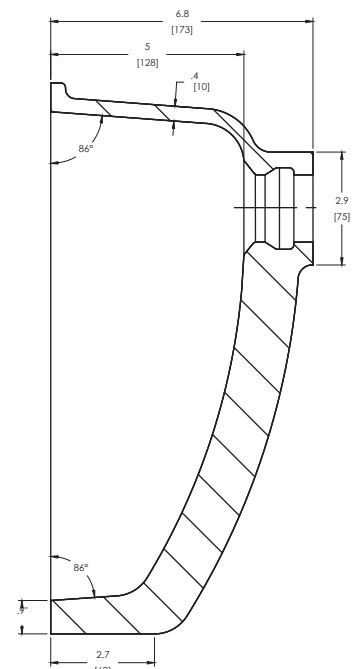


SECTION A-A
SCALE: FULL

Figure N-1: DuPont™ Corian® 8254 with Integrated Front Overflow



PLAN
SCALE: FULL



SECTION A-A
SCALE: FULL

Figure N-2: DuPont™ Corian® 8254 with No Overflow

DUPONT™ CORIAN® SINK AND LAVATORY POSITIONING FOR ADA COMPLIANCE

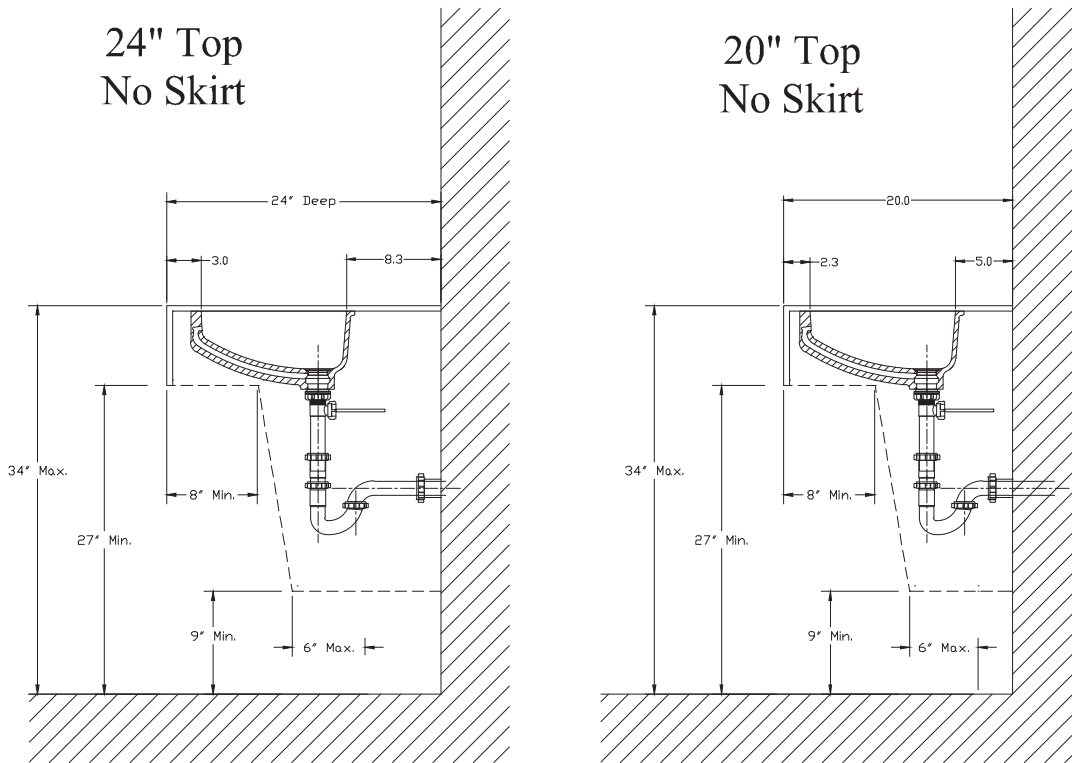


Figure N-3: DuPont™ Corian® 8254 installation without Skirt

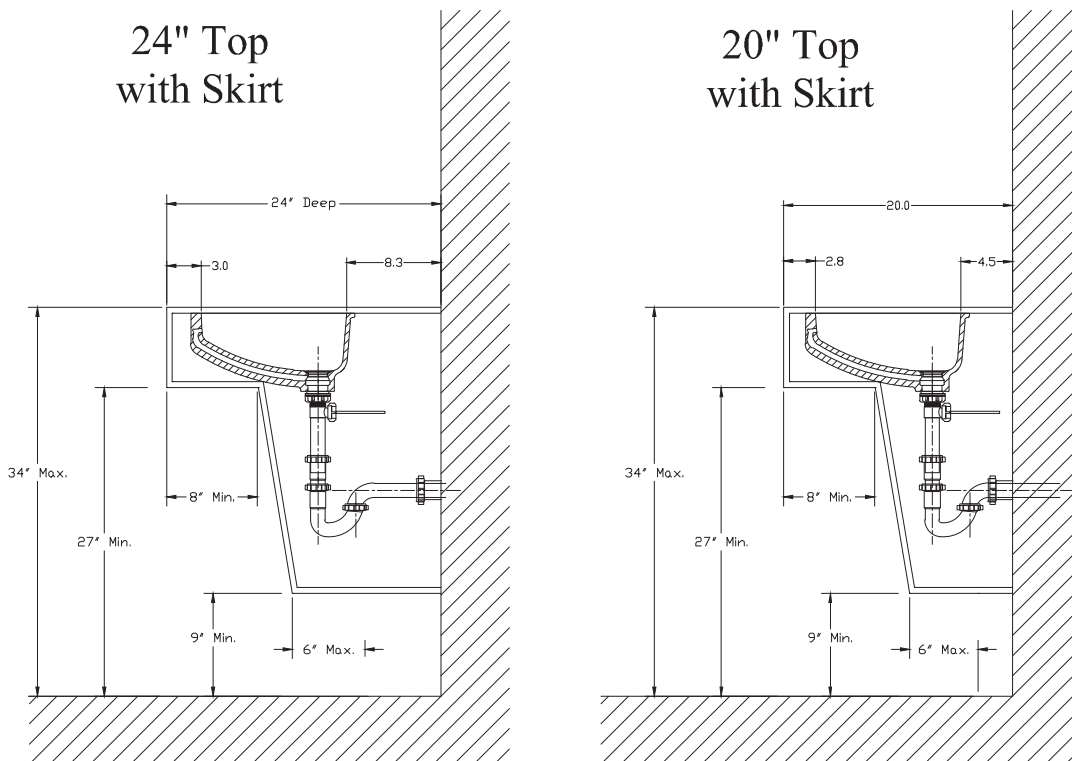


Figure N-4: DuPont™ Corian® 8254 installation with Skirt



DUPONT™ CORIAN® SINK AND LAVATORY POSITIONING FOR ADA COMPLIANCE

REFERENCED DOCUMENT

2010 Americans with Disabilities Act (ADA) Standards for Accessible Design, Department of Justice.

http://www.ada.gov/2010ADASTandards_index.htm

This information is based on technical data that E. I. du Pont de Nemours and Company and its affiliates ("DuPont") believe to be reliable, and is intended for use by persons having technical skill and at their own discretion and risk. DuPont cannot and does not warrant that this information is absolutely current or accurate, although every effort is made to ensure that it is kept as current and accurate as possible. Because conditions of use are outside DuPont's control, DuPont makes no representations or warranties, express or implied, with respect to the information, or any part thereof, including any warranties of title, non-infringement of copyright or patent rights of others, merchantability, or fitness or suitability for any purpose and assumes no liability or responsibility for the accuracy, completeness, or usefulness of any information. This information should not be relied upon to create specifications, designs, or installation guidelines. The persons responsible for the use and handling of the product are responsible for ensuring the design, fabrication, or installation methods and process present no health or safety hazards. Do not attempt to perform specification, design, fabrication, or installation work without proper training or without the proper personal protection equipment. Nothing herein is to be taken as a license to operate under or a recommendation to infringe any patents. DuPont shall have no liability for the use of or results obtained from such information, whether or not based on DuPont's negligence. DuPont shall not be liable for (i) any damages, including claims relating to the specification, design, fabrication, installation, or combination of this product with any other product(s), and (ii) special, direct, indirect or consequential damages. DuPont reserves the right to make changes to this information and to this disclaimer. DuPont encourages you to review this information and this disclaimer periodically for any updates or changes. Your continued access or use of this information shall be deemed your acceptance of this disclaimer and any changes and the reasonableness of these standards for notice of changes.

© E. I. du Pont de Nemours and Company 2016. All rights reserved.

The DuPont Oval, DuPont™ and Corian® are trademarks or registered trademarks of E. I. du Pont de Nemours and Company ("DuPont") or its affiliates. K-27499 8/16