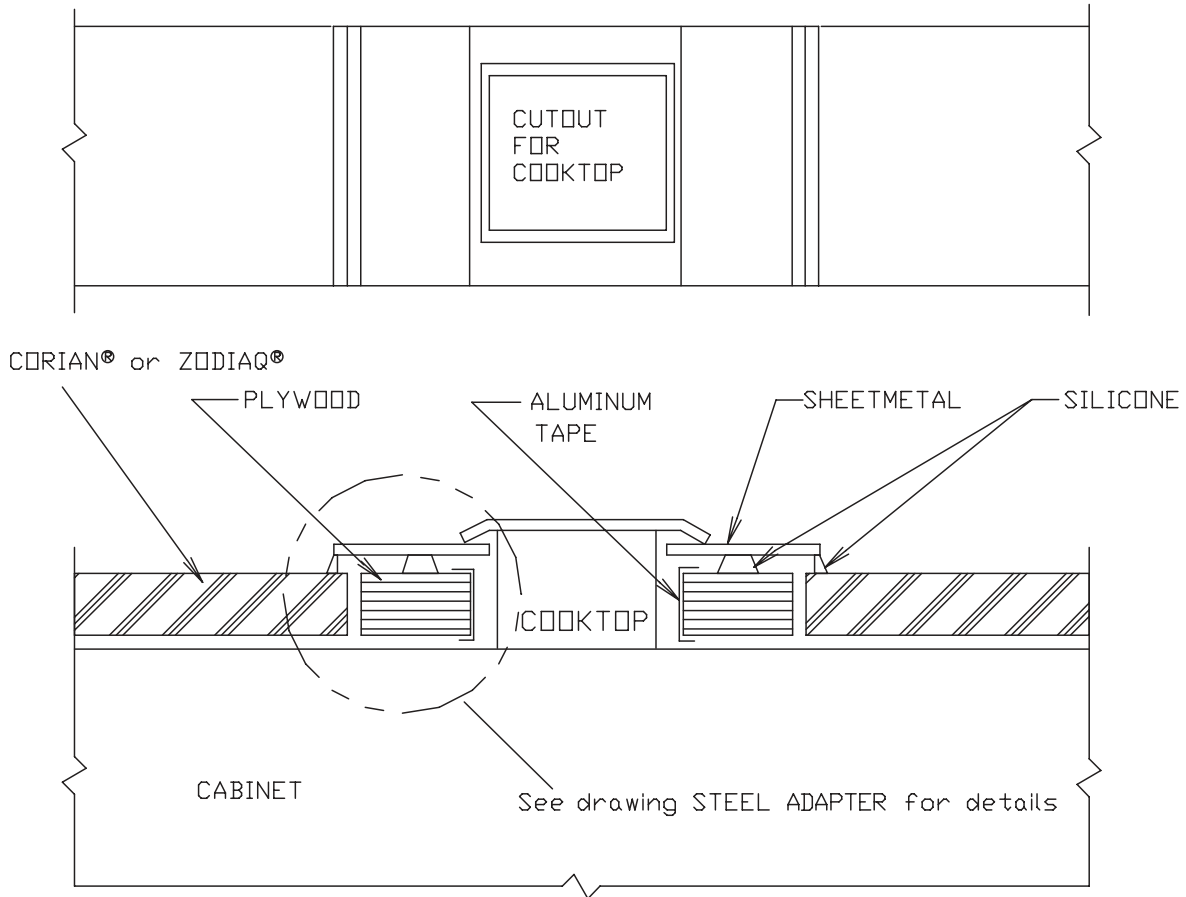


COMMERCIAL COOKTOP INSTALLATION



C950-K03158-37 1/04

The information contained in this Technical Bulletin is given by E.I. du Pont de Nemours and Company free of charge. It is based on technical data which DuPont believes to be reliable and is intended for use by persons having knowledge of this technical area at their own discretion and risk. Seller assumes no responsibility for results obtained or damage incurred from the use of this Technical Bulletin either in whole or in part by a buyer of Corian®. Corian® is a DuPont registered trademark for its solid surfaces. Only DuPont makes Corian®. Copyright © 2004 E.I. du Pont de Nemours and Company. Printed in the U.S.A.

DuPont™
CORIAN®
SOLID SURFACES



The miracles of science™