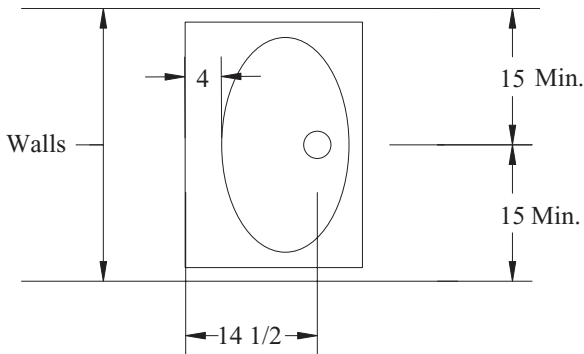


ADA COMPLIANT LAVATORY INSTALLATION

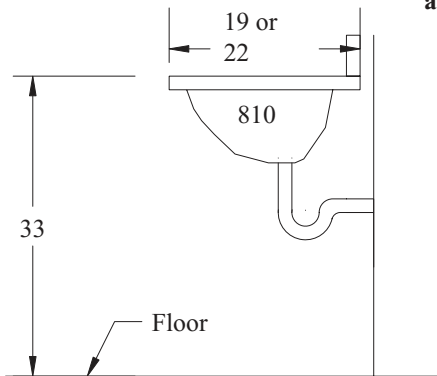


Notes:

An 810 bowl is used in this example of an installation to meet ADA requirements. Other Corian® lavs may be used.

ADA compliance will be achieved when all plumbing, etc. is cleared when sliding the “template” along front edge of installation.

All dimensions are in inches.



Template should only touch here when slid over entire access space.

Required Leg Clearance See ADA Template Dwg.

