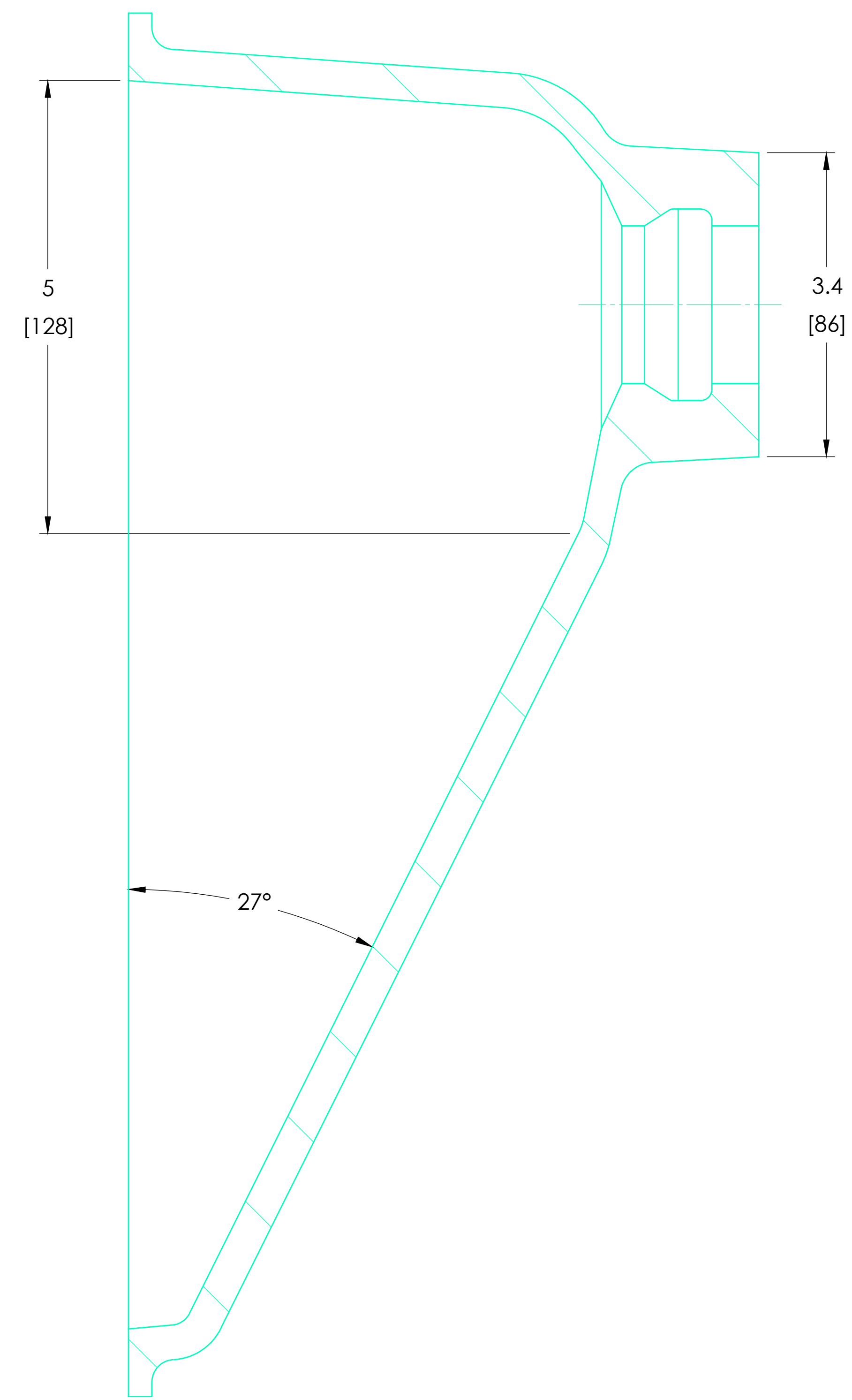


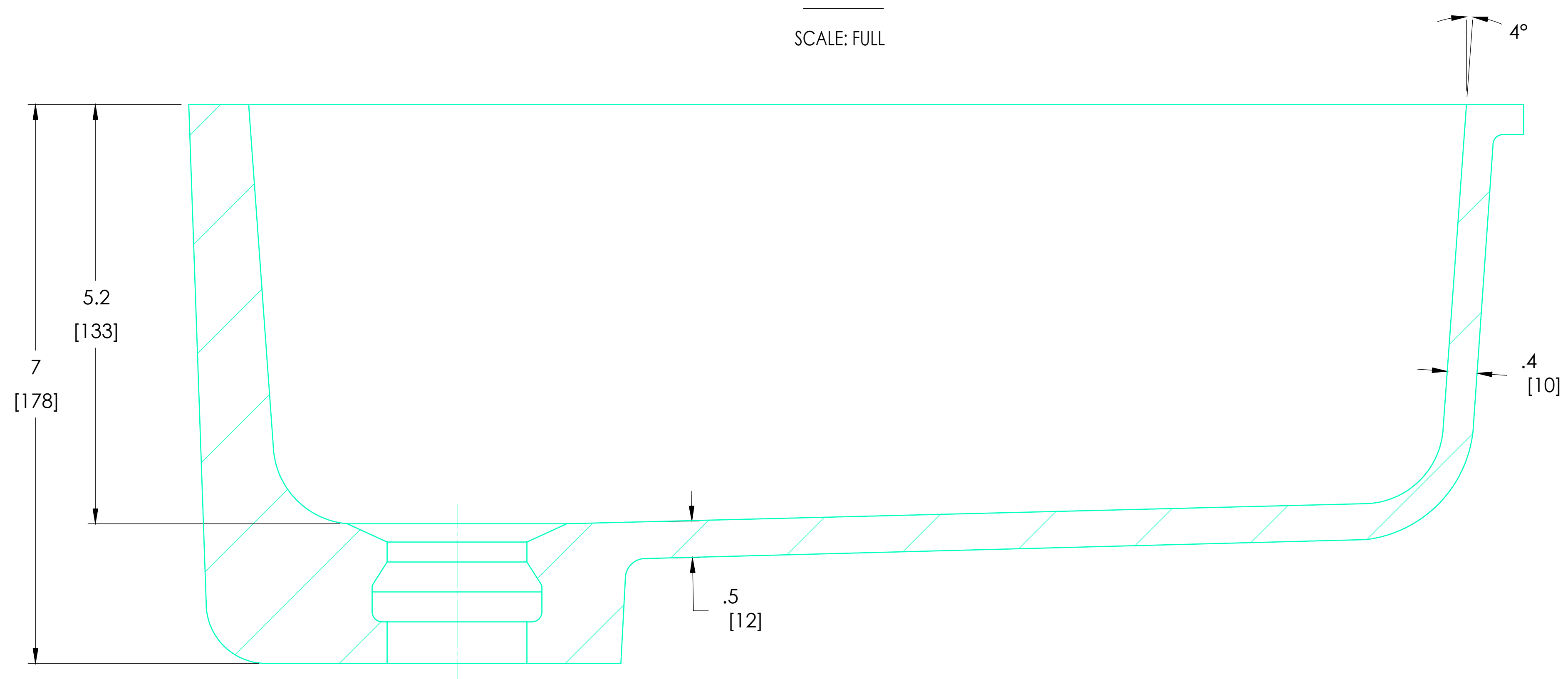
PLAN

SCALE: FULL



SECTION B-B

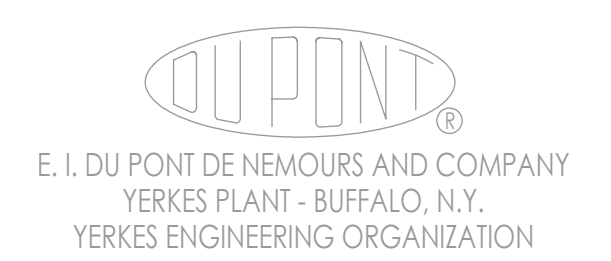
SCALE: FULL



SECTION A-A

SCALE: FULL

THIS DRAWING HAS BEEN FURNISHED BY E.I. DU PONT DE NEMOURS AND COMPANY. THE INFORMATION AND KNOW-HOW THEREON MAY NOT BE USED NOR THE DRAWING REPRODUCED WITHOUT THE WRITTEN PERMISSION OF E.I. DU PONT DE NEMOURS AND COMPANY. ALL REPRODUCTIONS IN WHOLE OR IN PART, INCLUDING VENDOR'S SHOP DRAWINGS, SHALL BEAR OR REFER TO THIS STAMP.



8252 BOWL  
WITHOUT OVERFLOW  
FABRICATOR PART DWG.

REV.	0	ISSUED AS RECORD DRAWING	JWH	01/14/13	J.HARRIS	FD416520	01/14/13
------	---	--------------------------	-----	----------	----------	----------	----------

